

Magnetic Art Easel

Instruction

Accessories



A- 8 pcs



B- 8 pcs



C-2 pcs



D-4 pcs



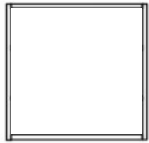
E-4 pcs



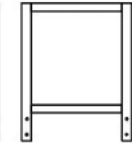
G-1 pcs



I-4 pcs

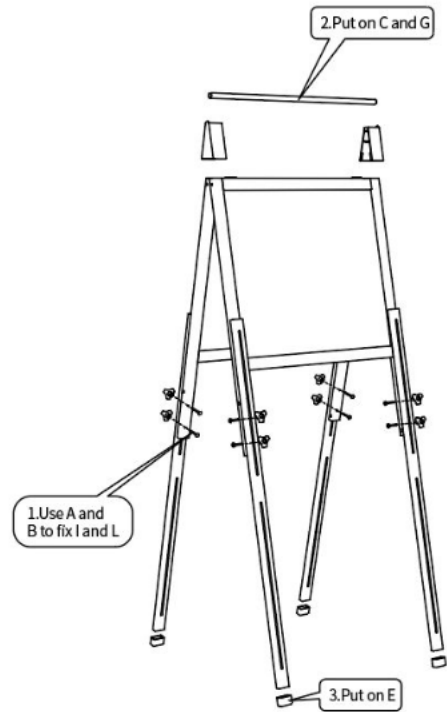


K-1 pcs



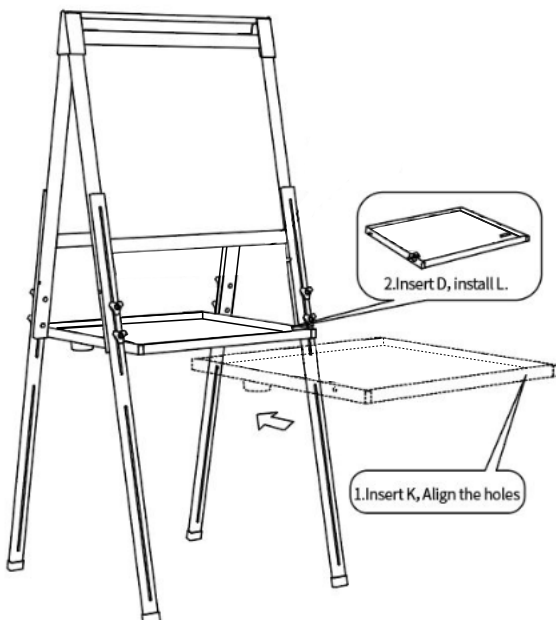
L-easel
(whiteboard + chalkboard=1 set)

Setp1



Setp3

Setp2



Pls remove the film on the surface after assembly completed