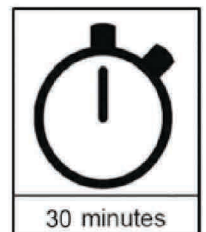
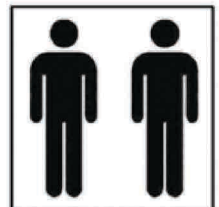
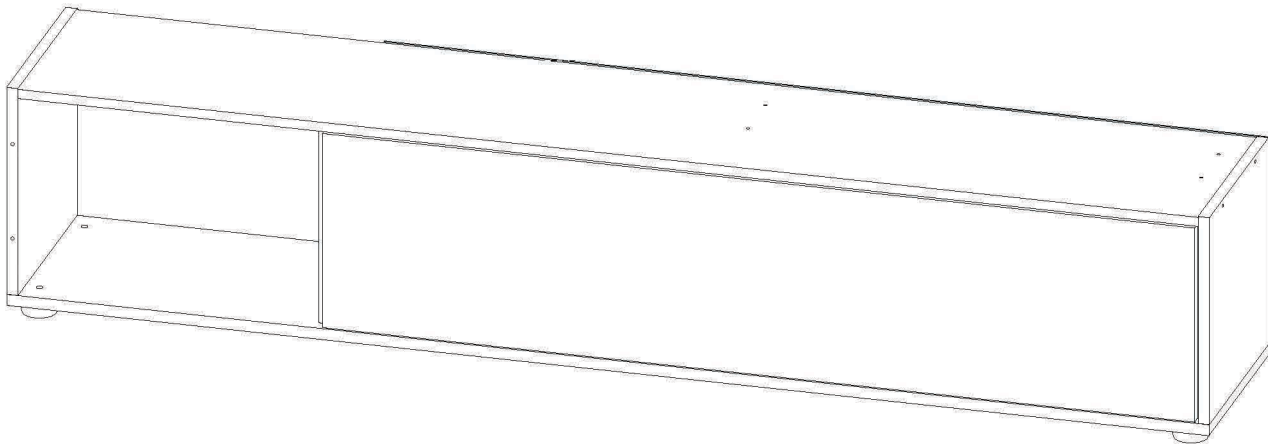
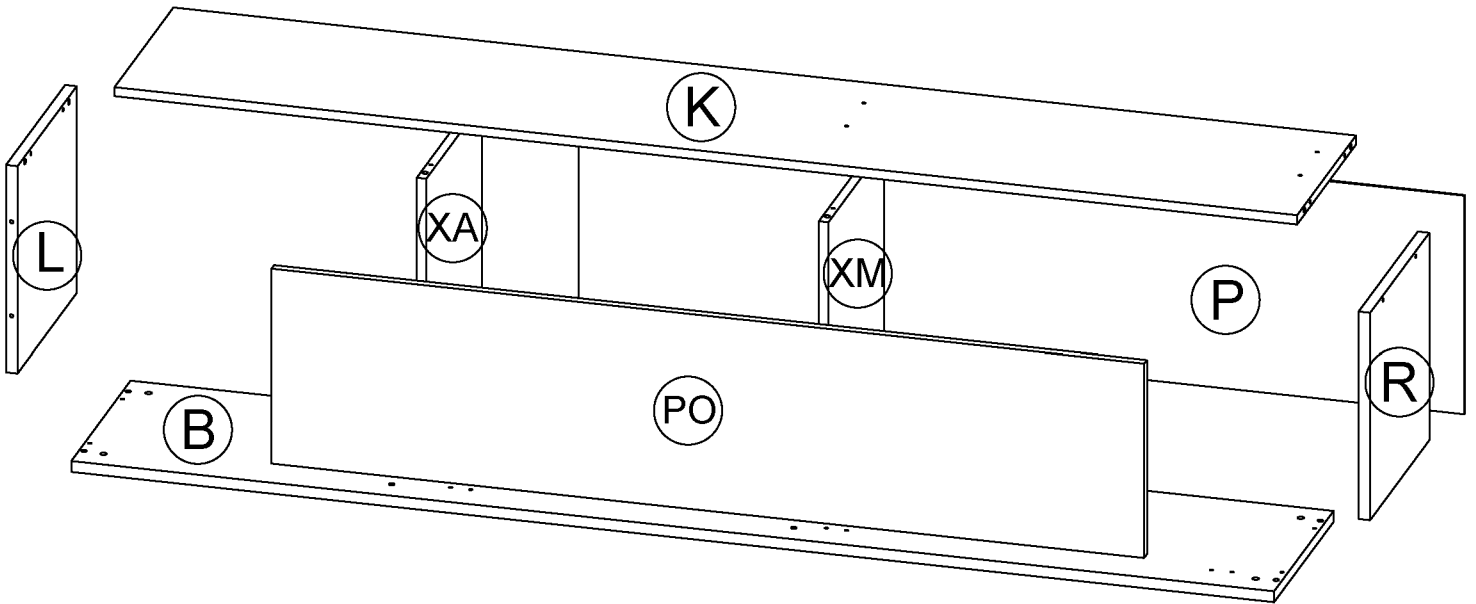
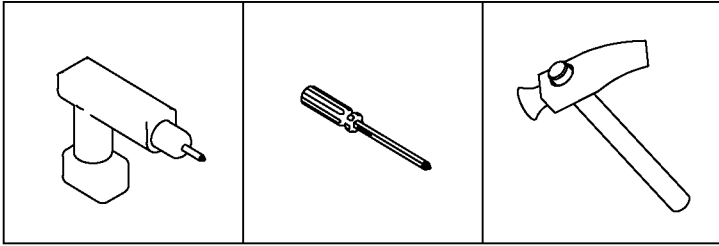


# AGA 082A TV

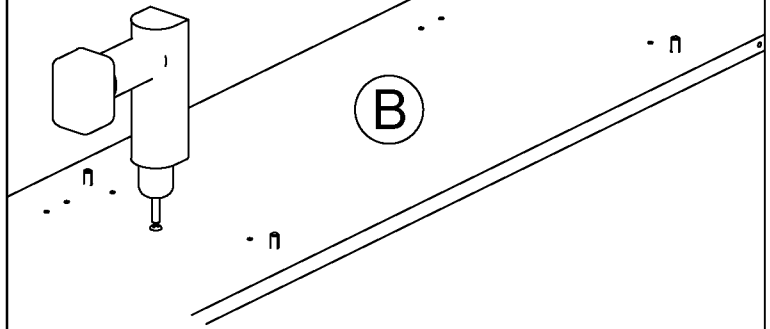
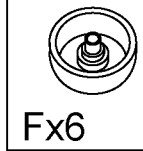
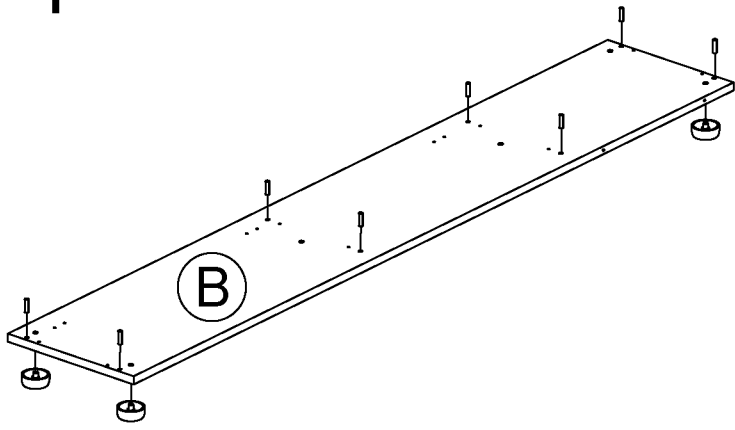


# USING TOOLS

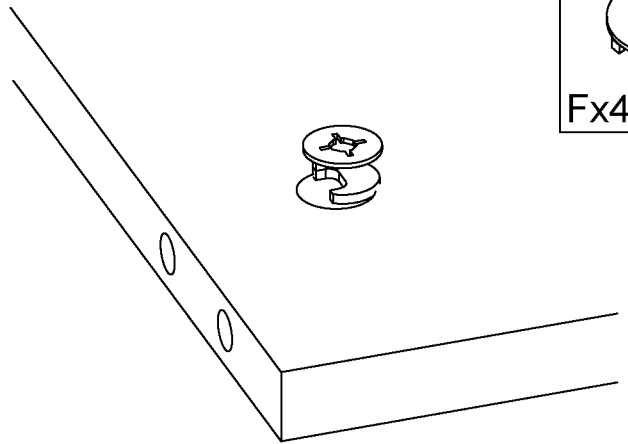
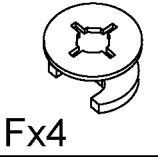
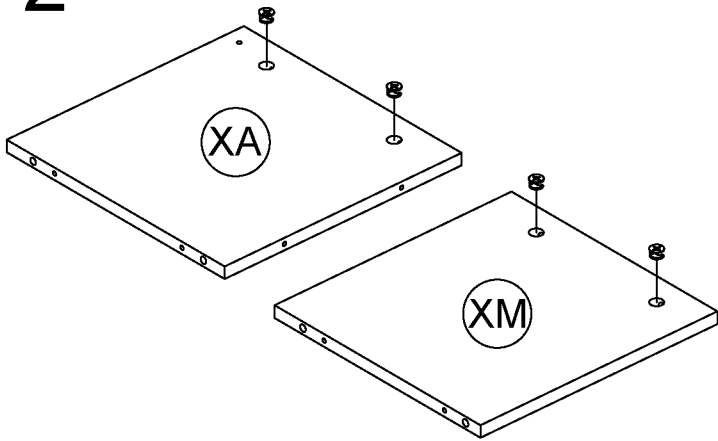


TPx12	PRx30						
					3.5x16 		
Tx4	Fx4	Px8	Kx16	Mx3	Vx16	Fx6	
EUx12	Ax1	ABx1	ACx1	BPx4	POx2	TAX1	

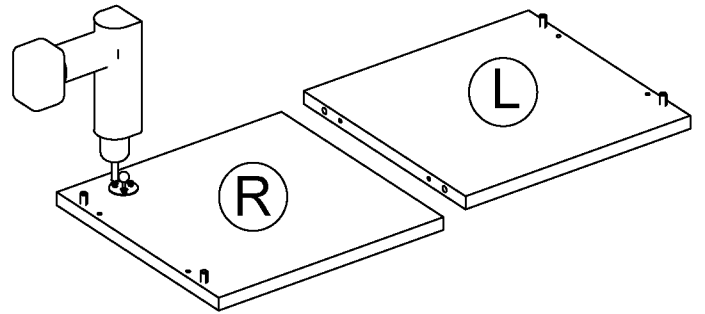
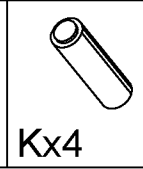
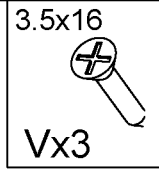
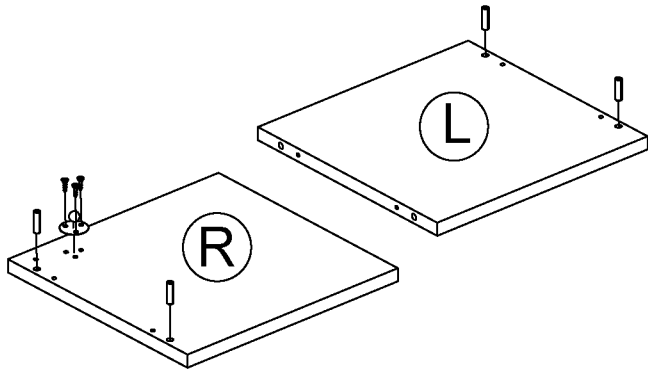
1



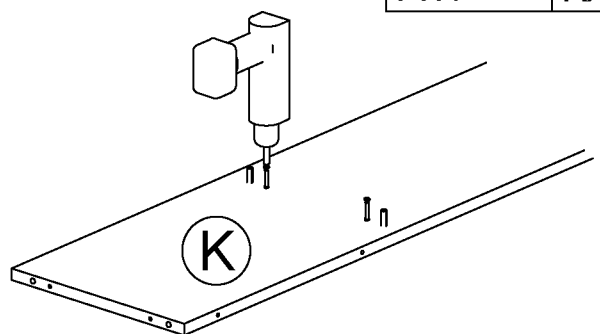
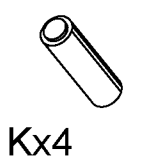
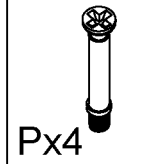
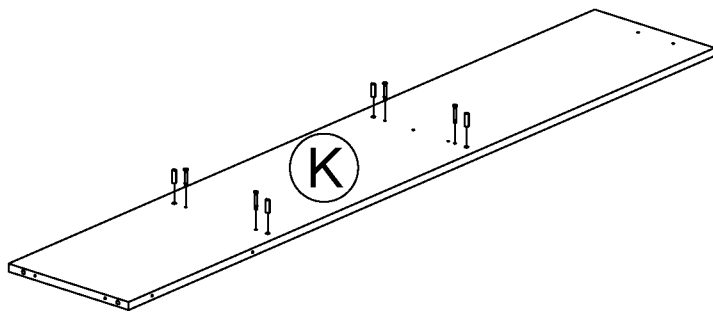
2



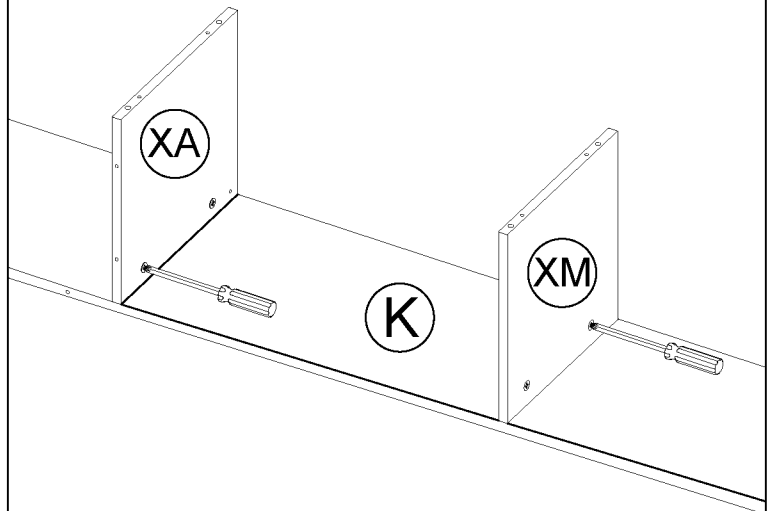
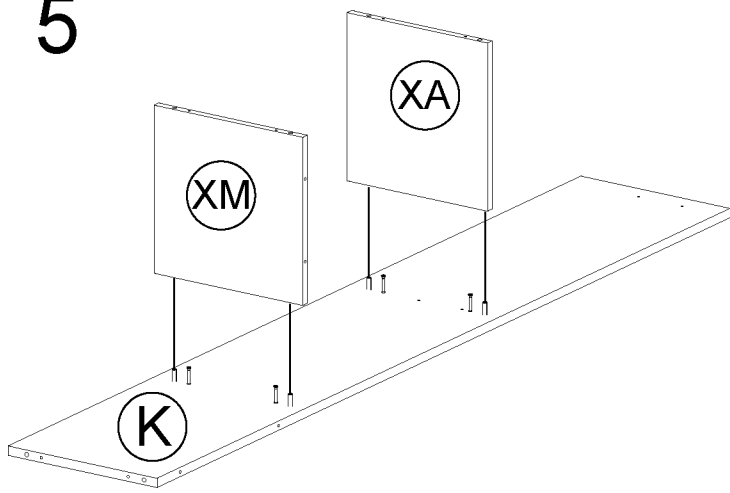
3



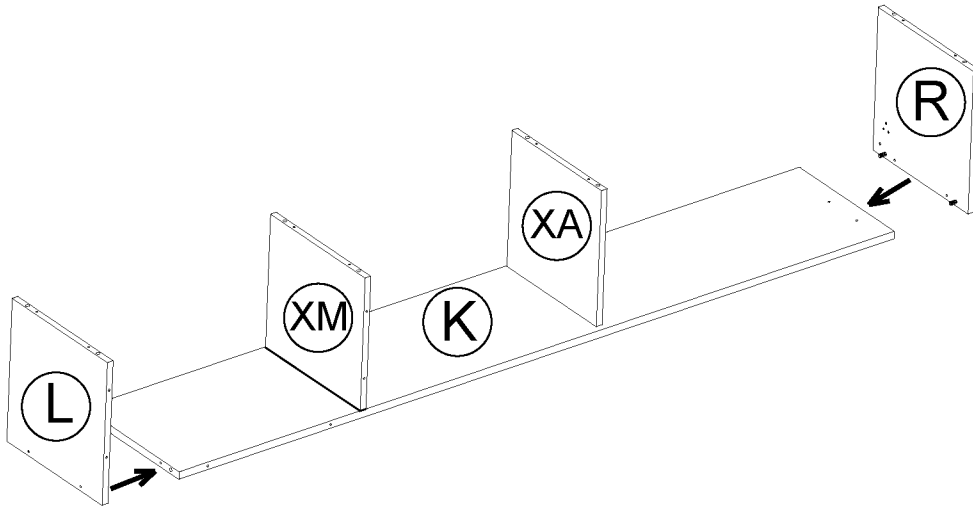
4



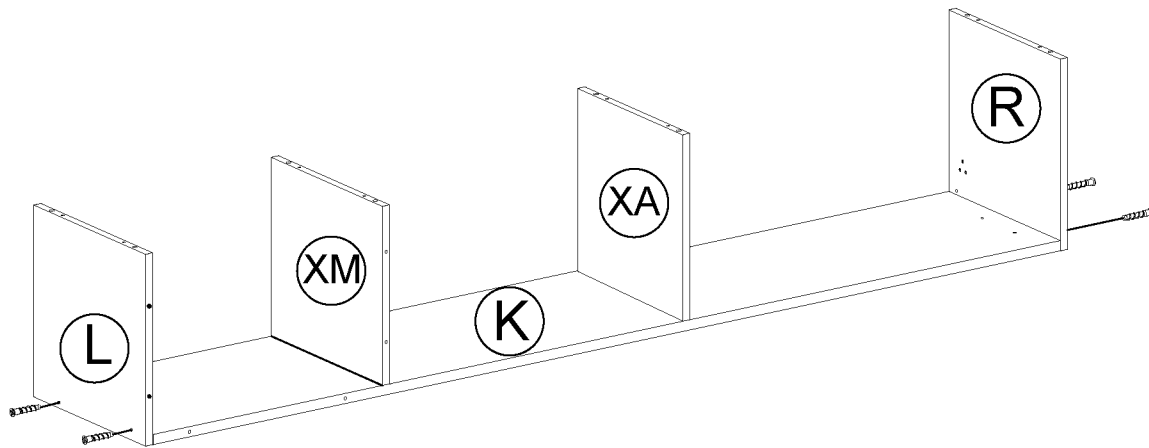
5



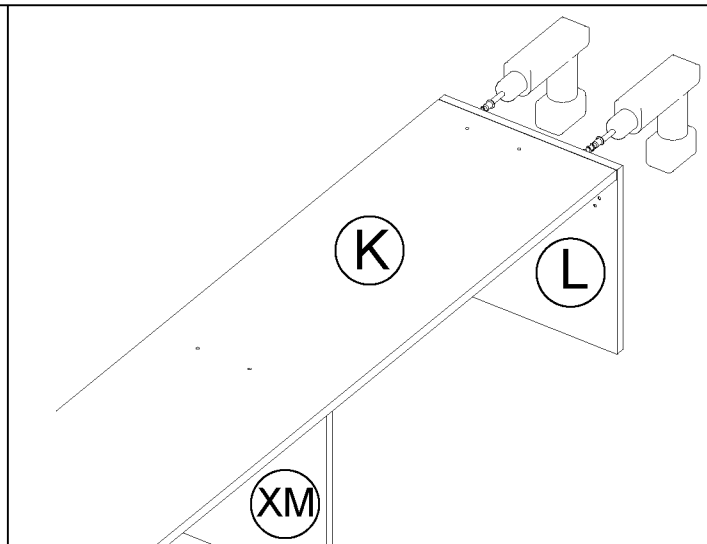
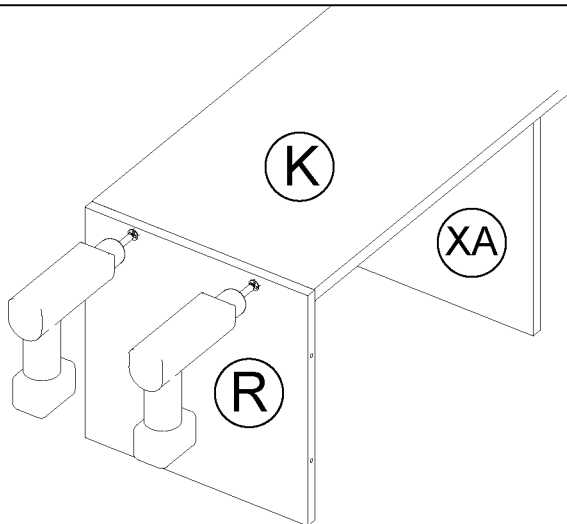
6



7

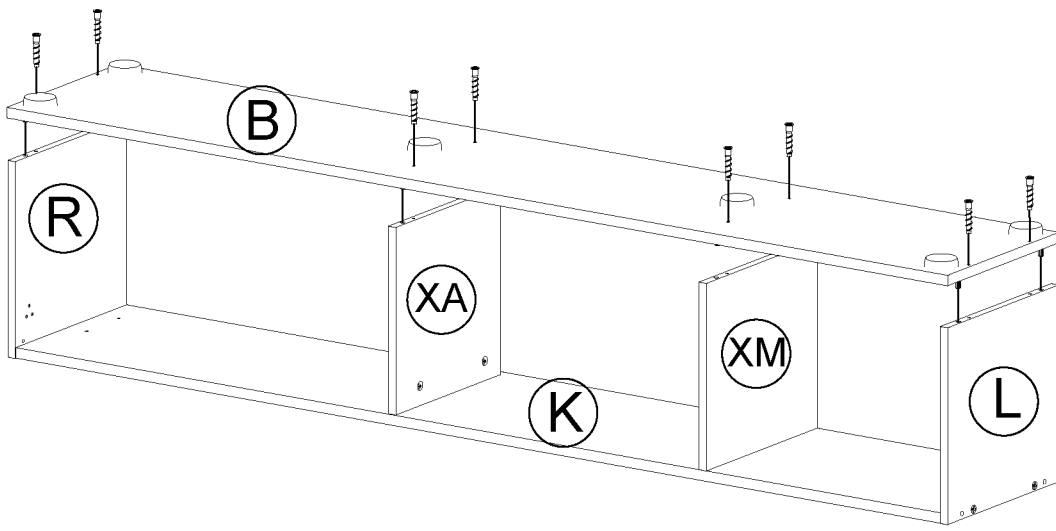


8



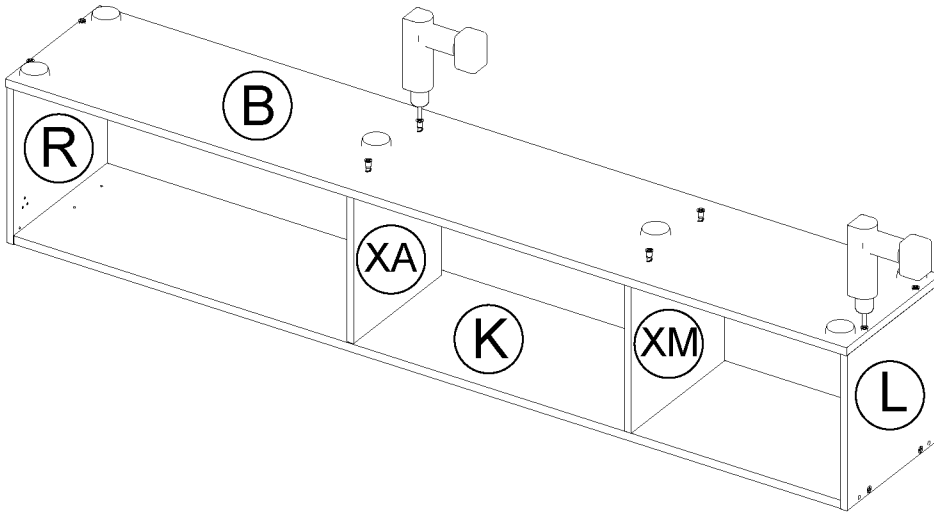


9

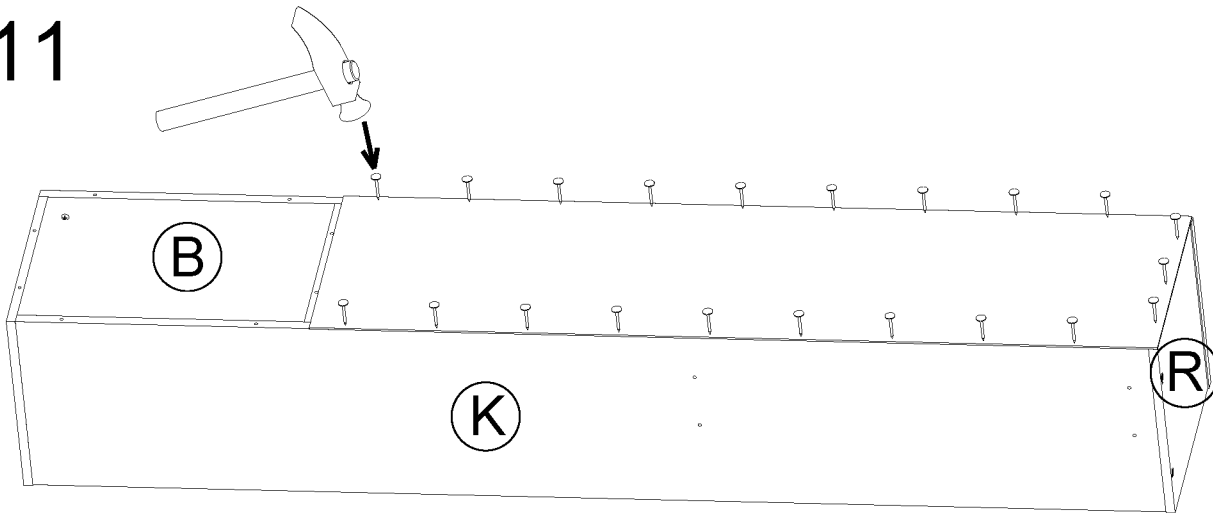


EUx 8

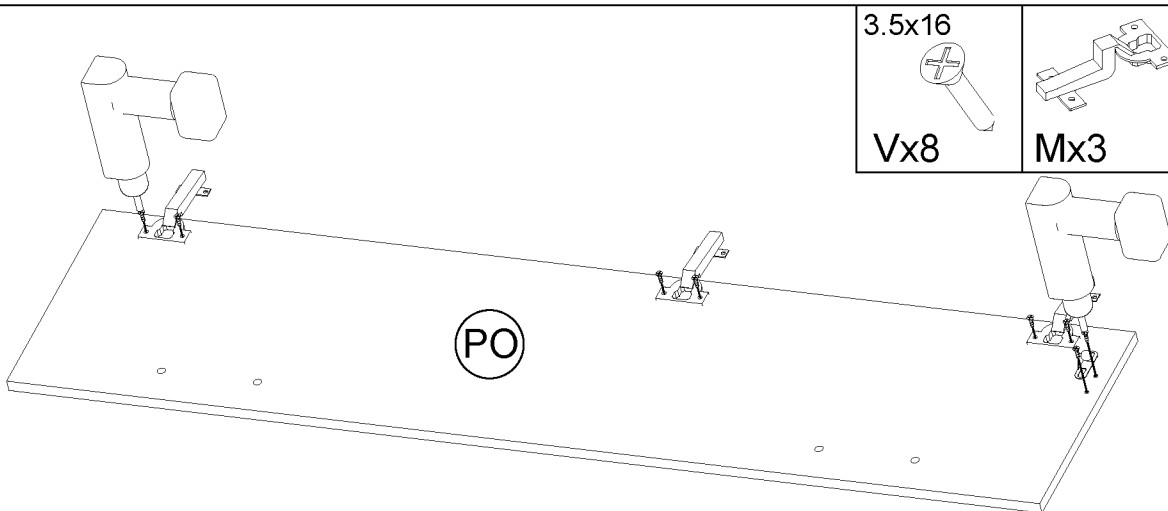
10



11



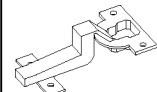
12



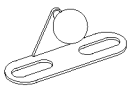
3.5x16



Vx8

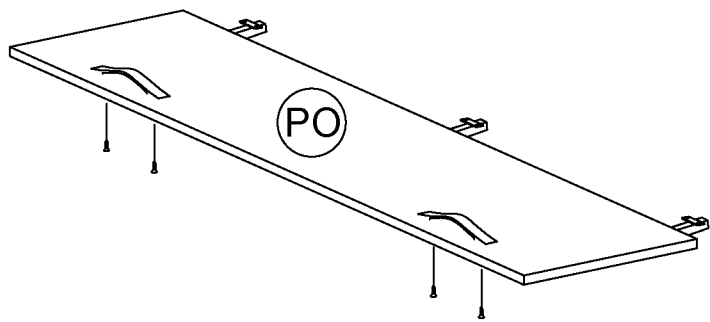


Mx3

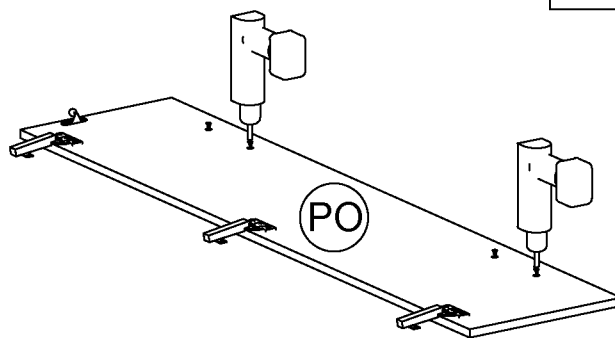


ACx1

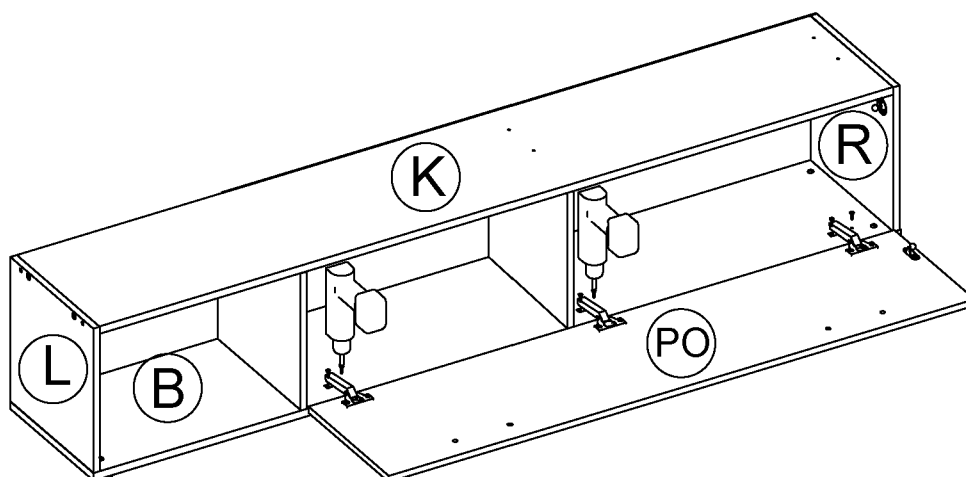
13



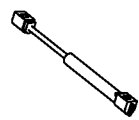
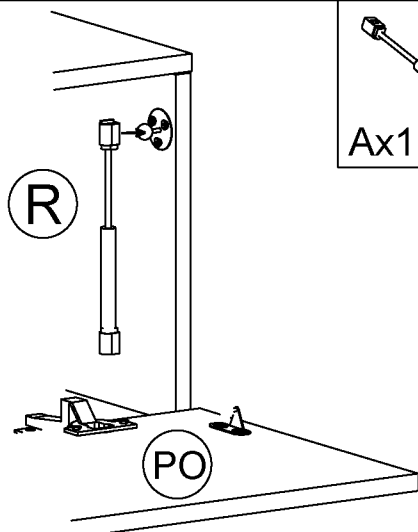
BPx4



14

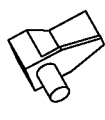
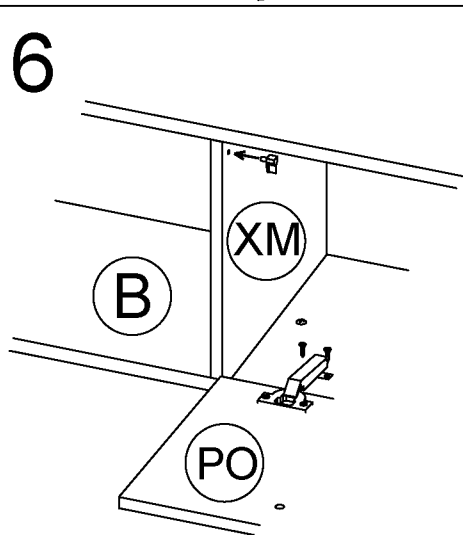


15

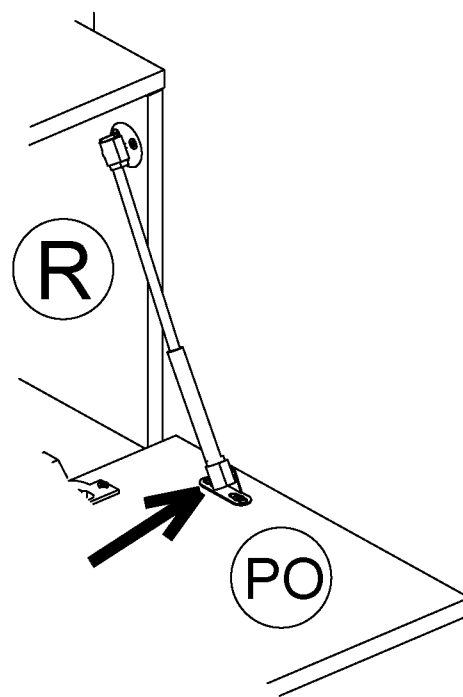


Ax1

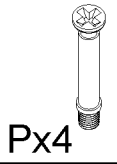
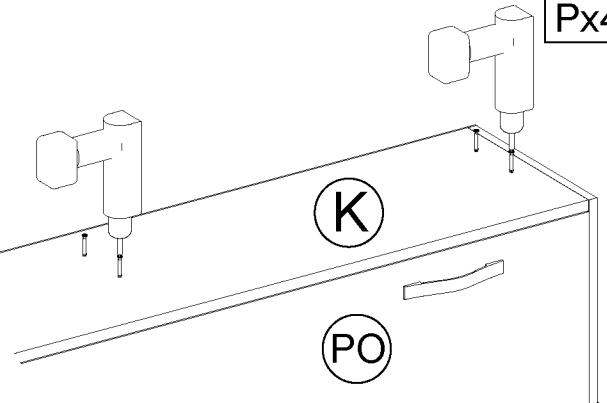
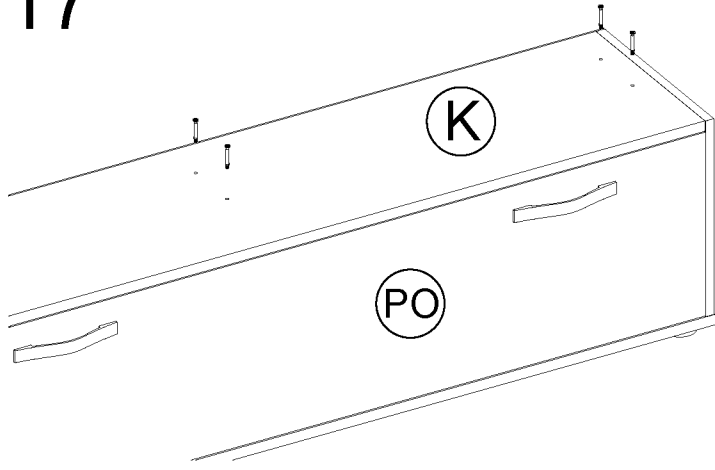
16



TAx1



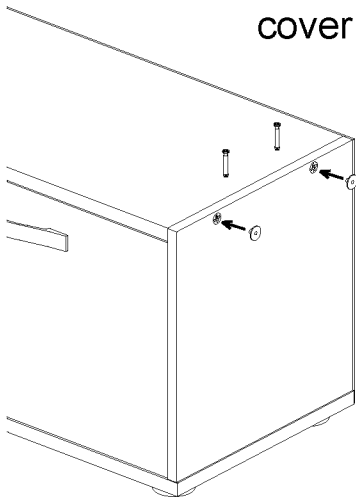
17



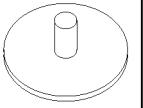
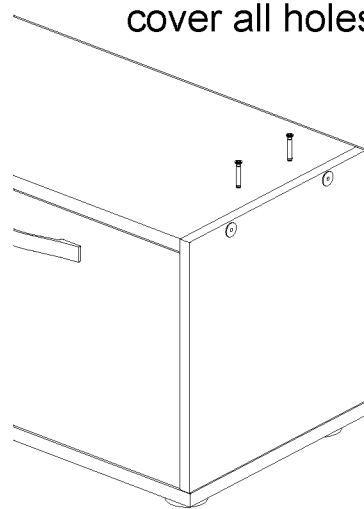
Px4

18

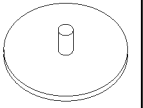
cover all holes



cover all holes



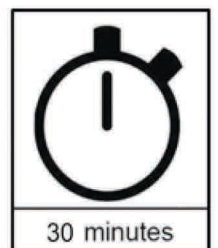
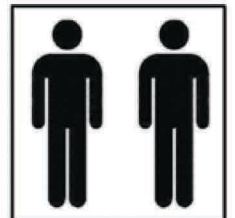
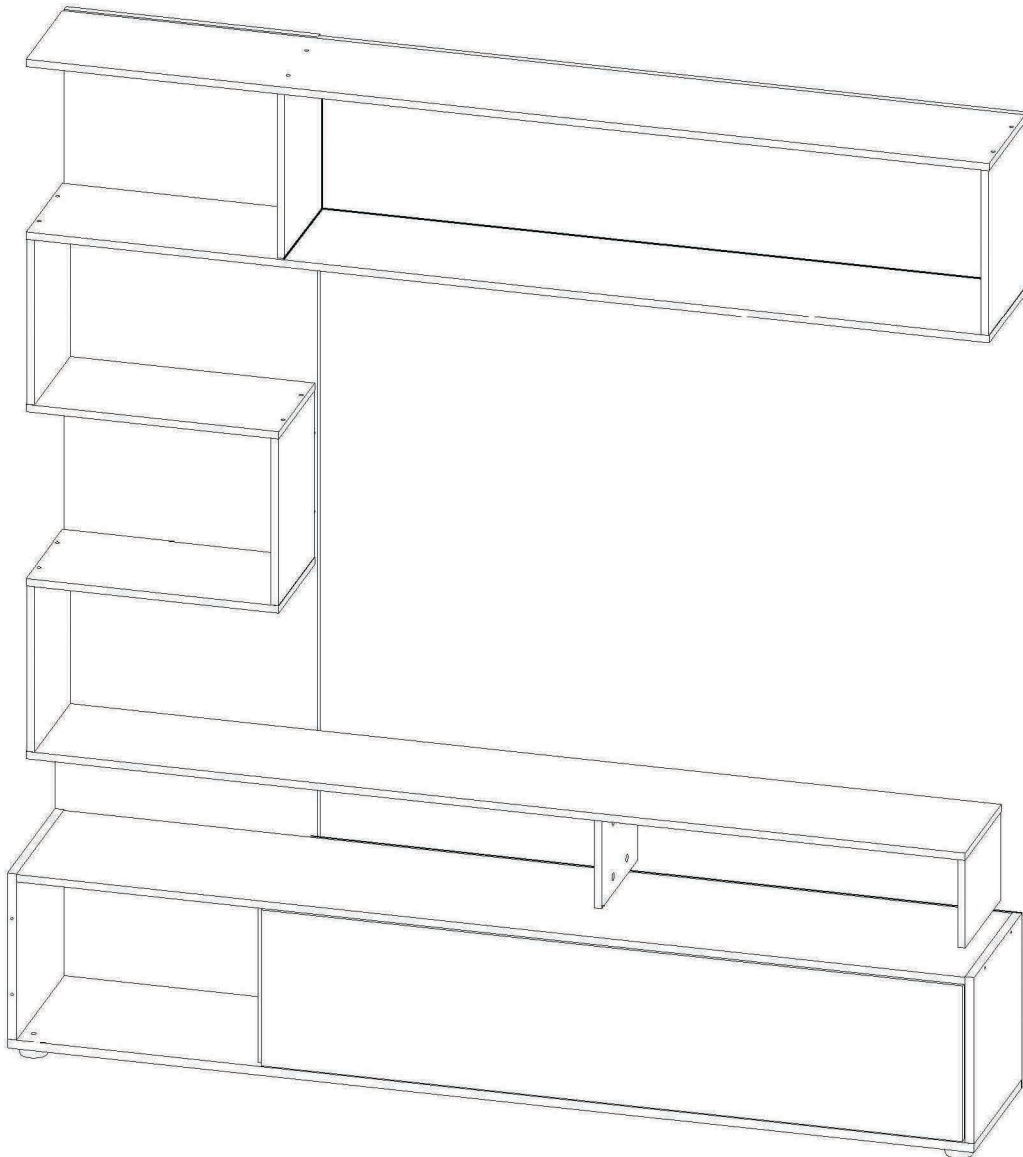
TPx12



Tx4

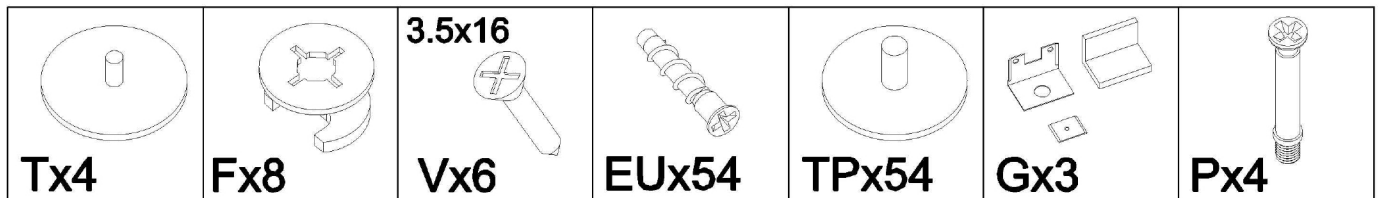
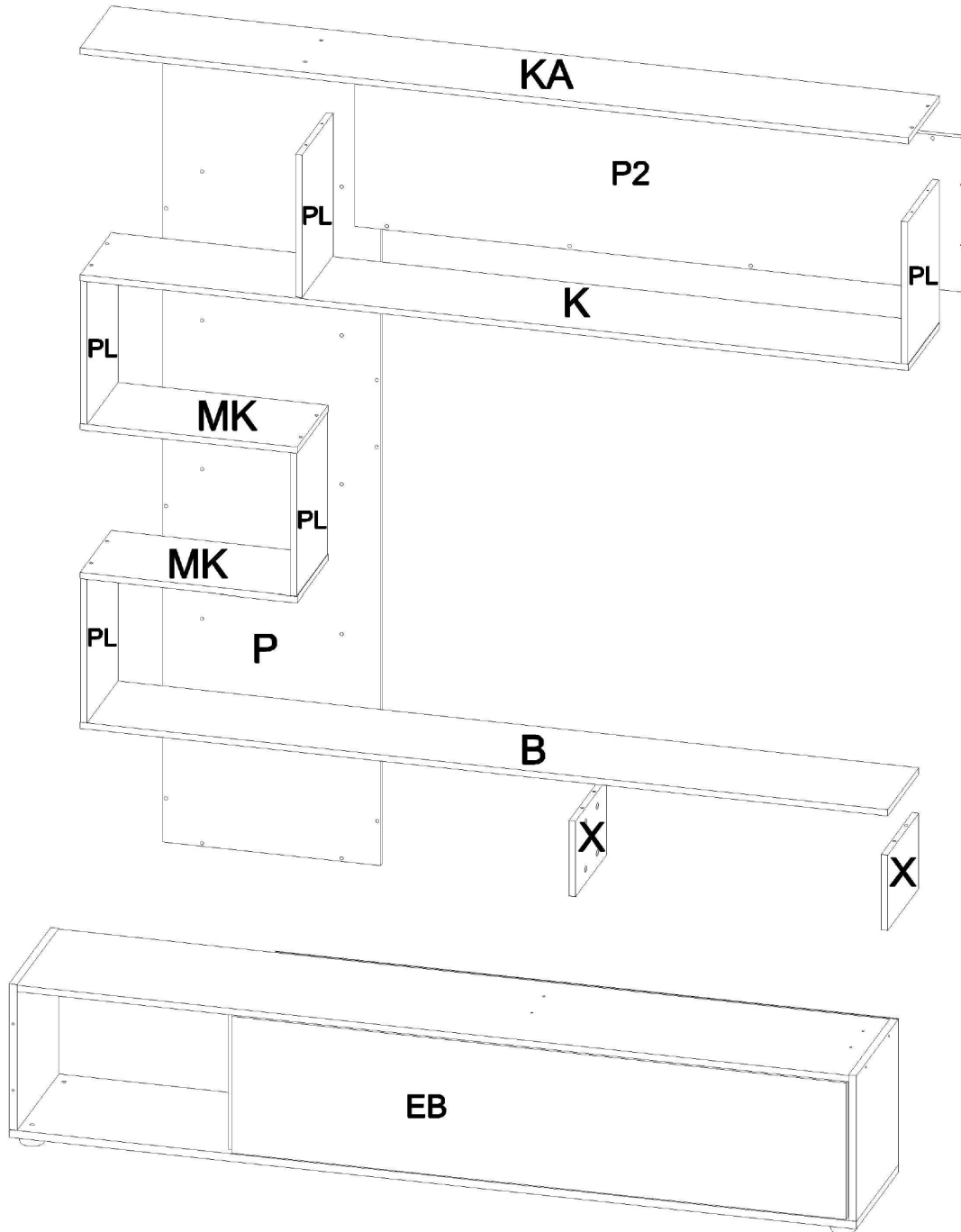
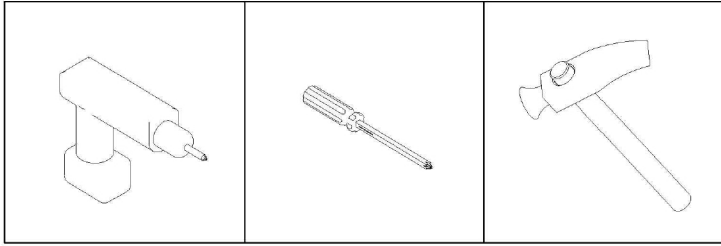


# AGA 082B TV

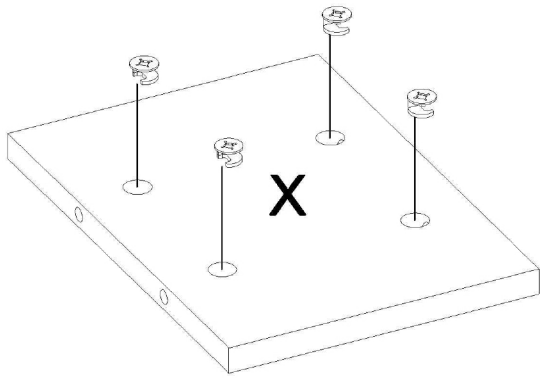


30 minutes

# USING TOOLS

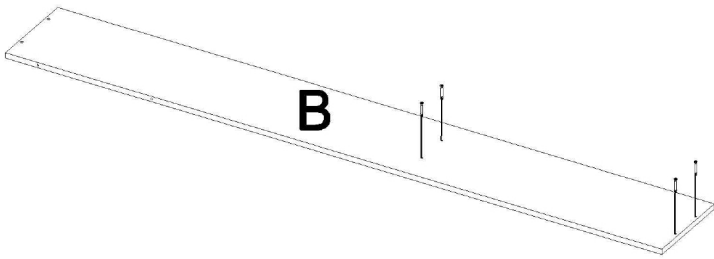


1



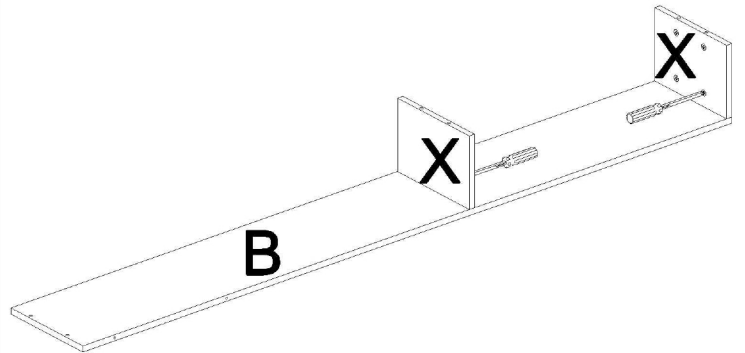
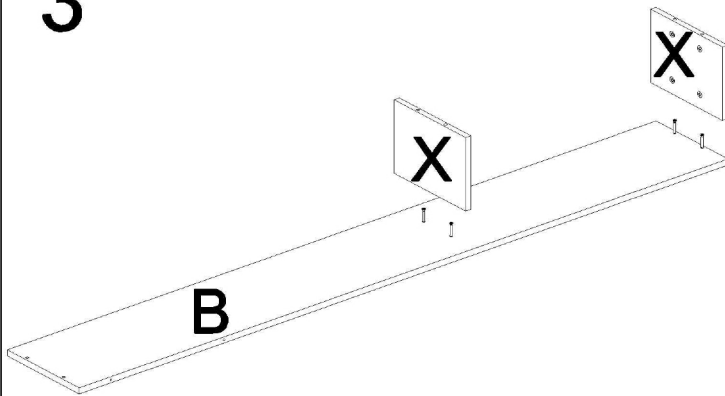
Fx8

2

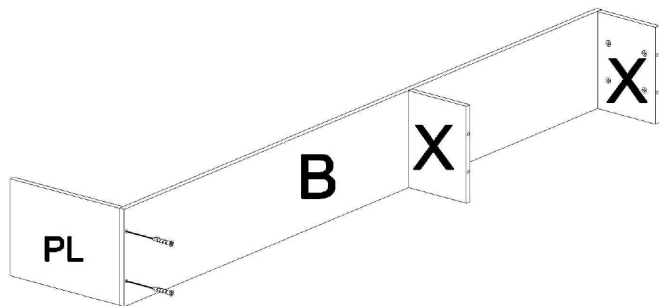


Px4

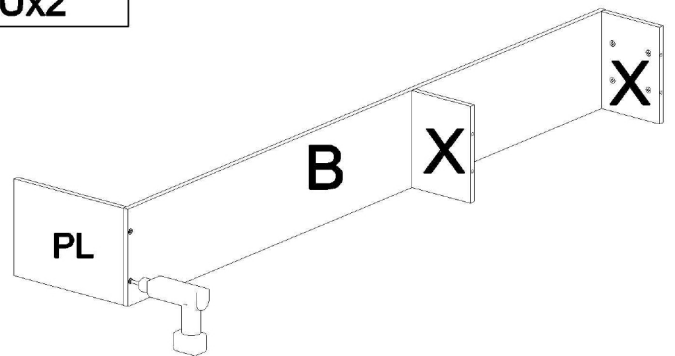
3



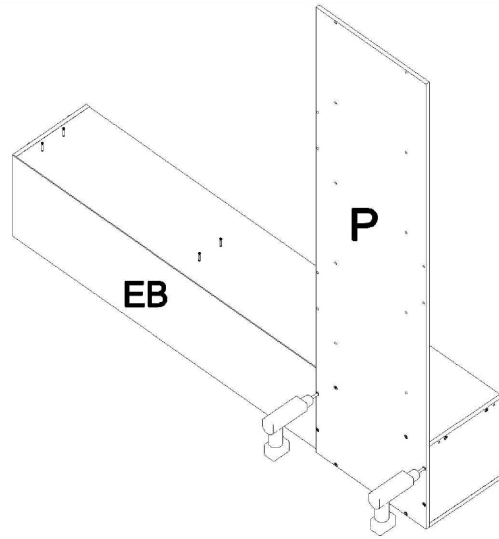
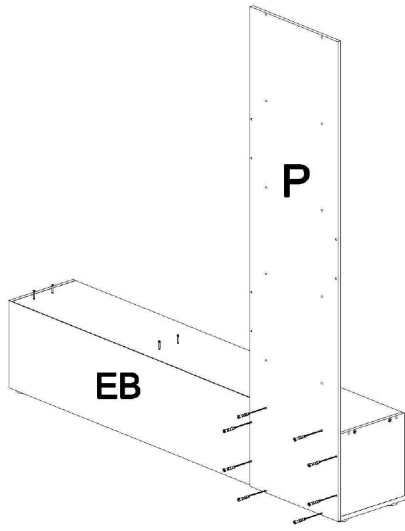
4



EUx2

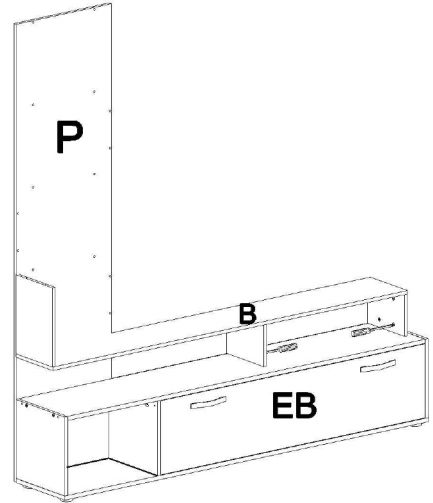
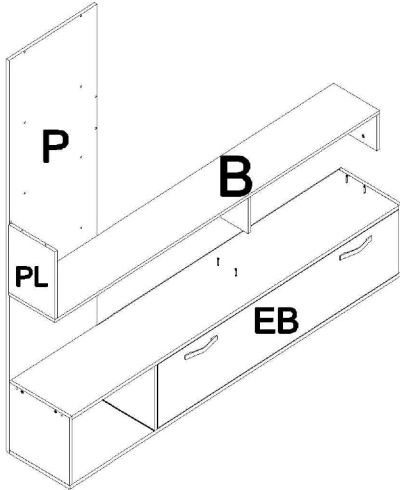


5

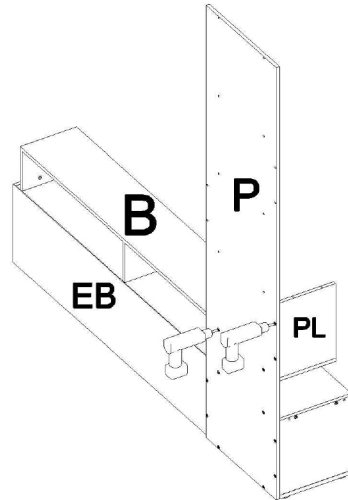
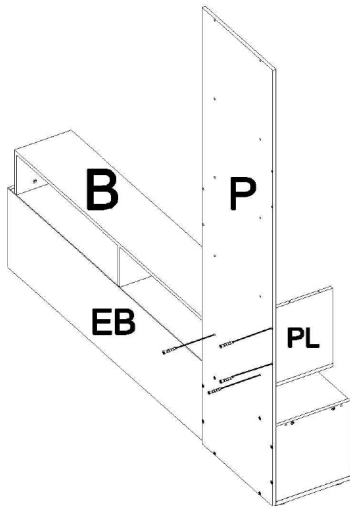


EUx8

6

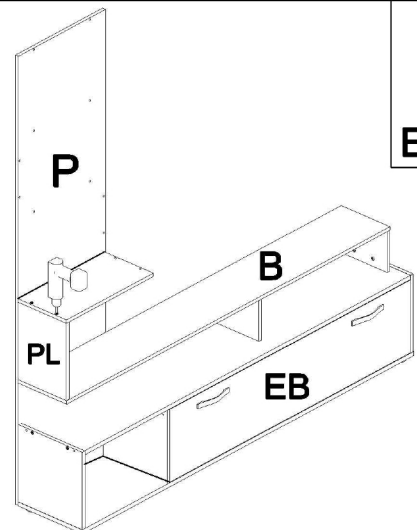
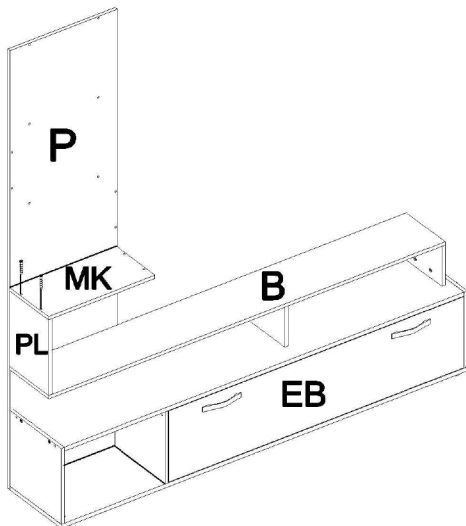


7



EUx4

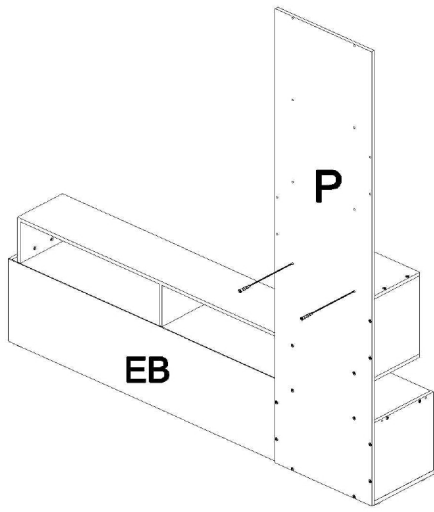
8



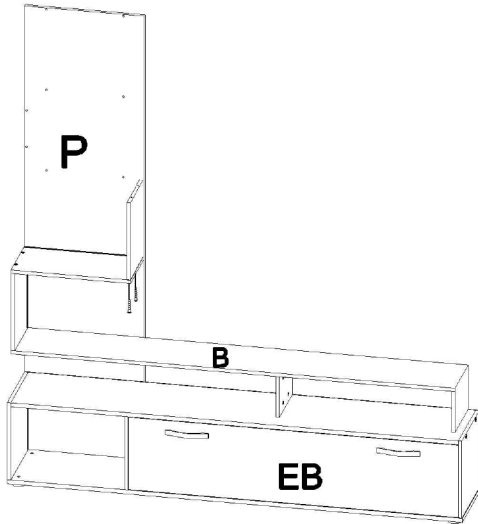
EUx2



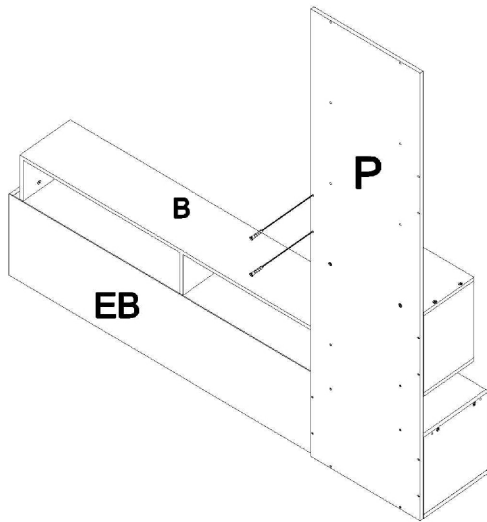
9



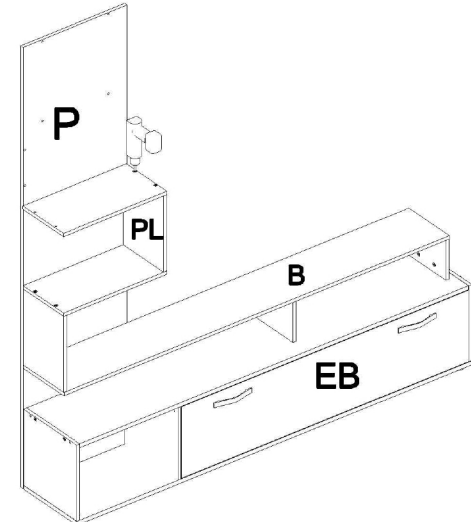
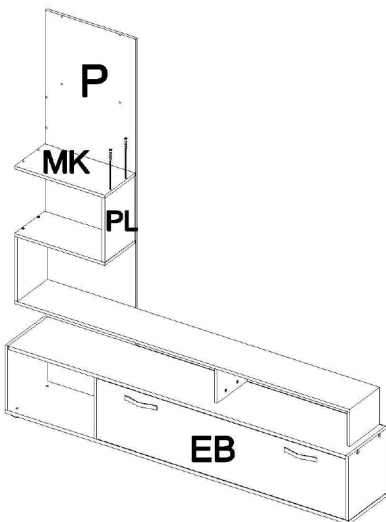
10



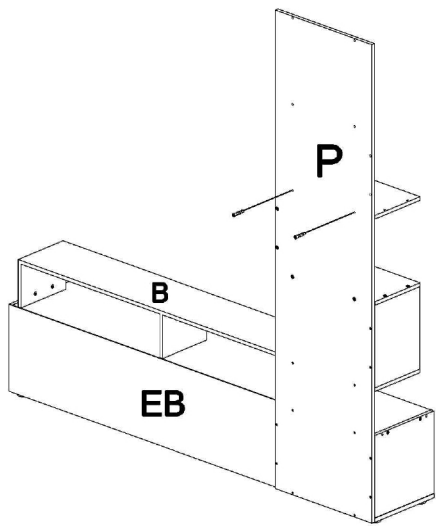
11



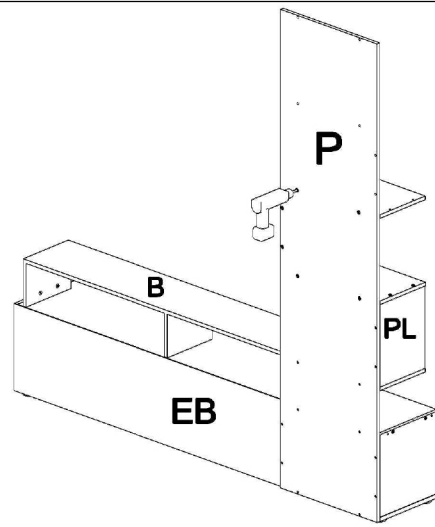
12



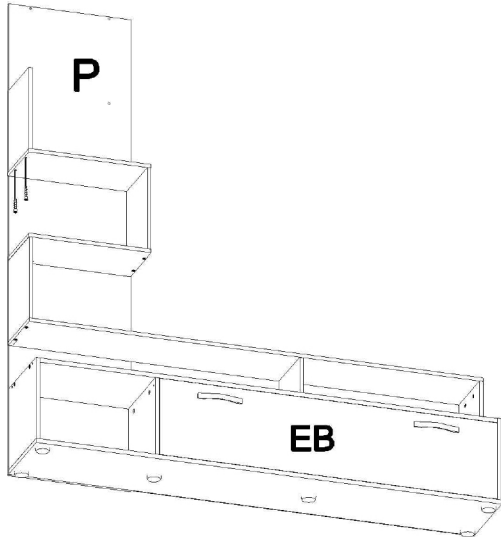
13



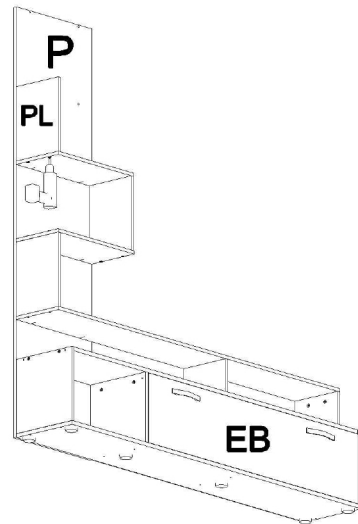
EUx2



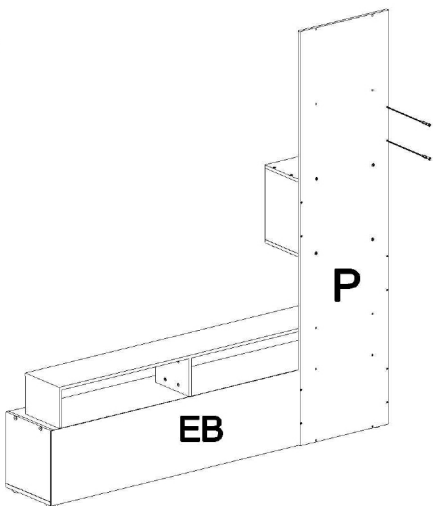
14



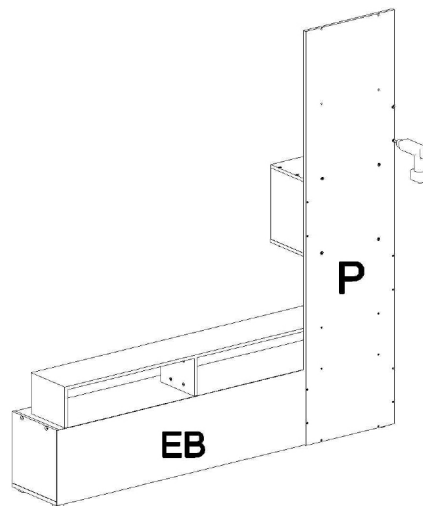
EUx2



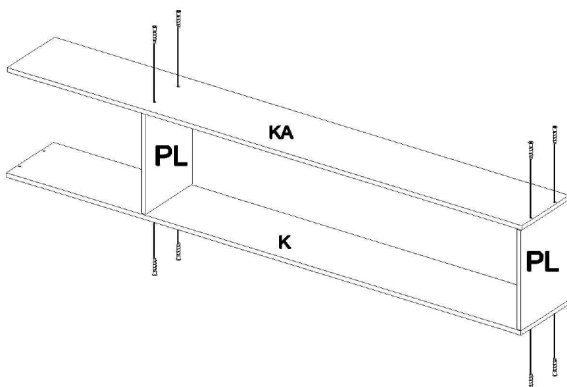
15



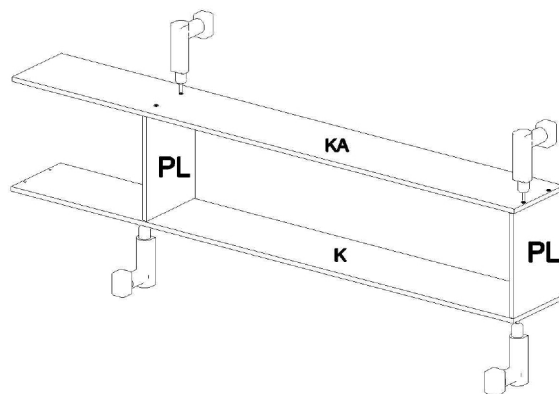
EUx2



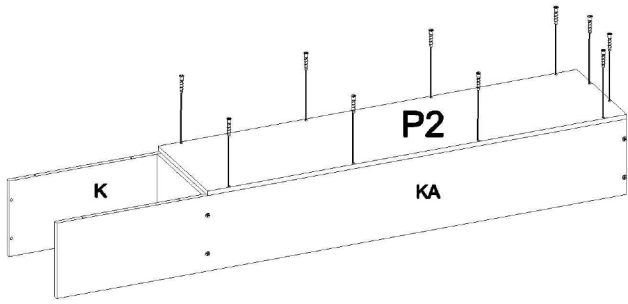
16



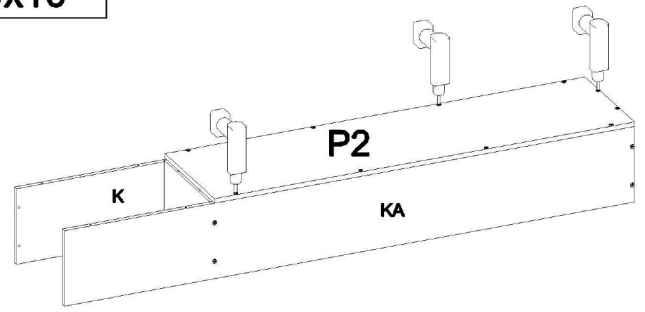
EUx8



# 13



EUx10



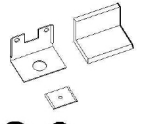
# 14



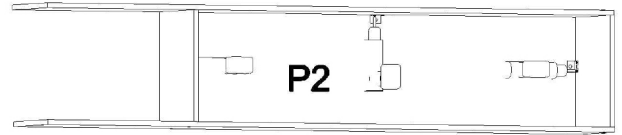
3.5x16



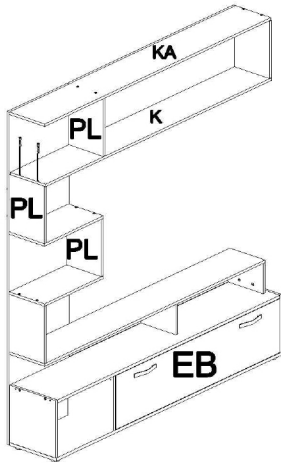
Vx6



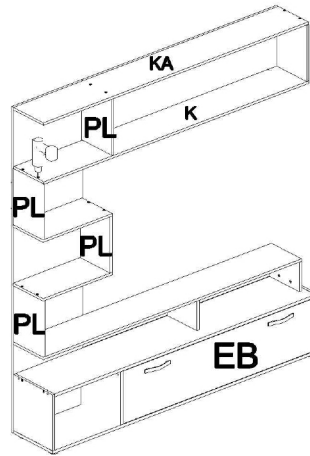
Gx3



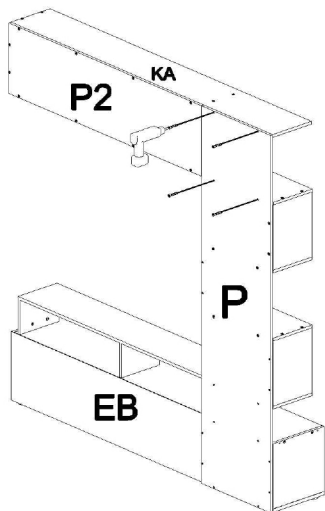
# 15



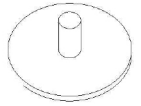
EUx10



# 16



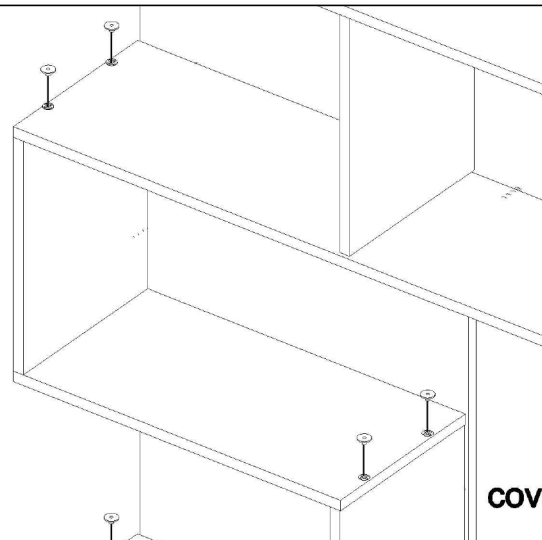
EUx4



TPx54



Tx4



cover all holes

