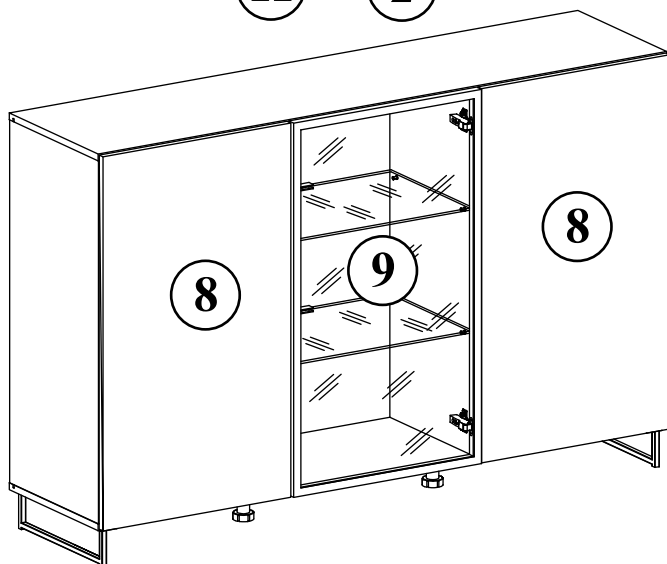
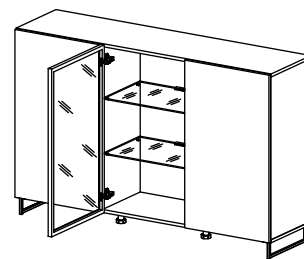
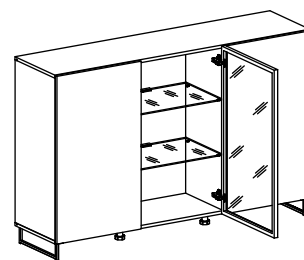
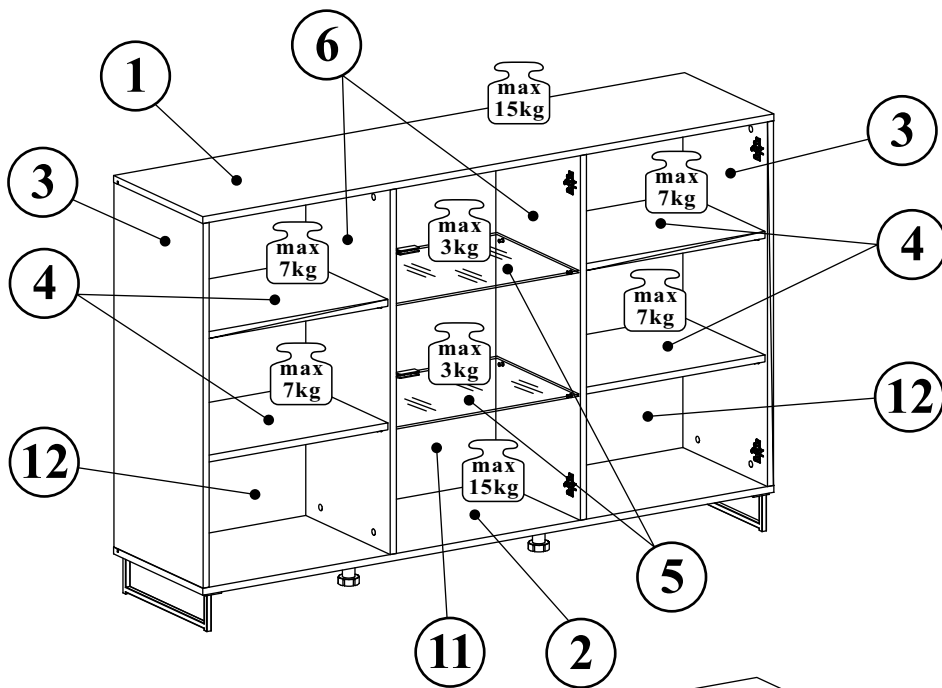
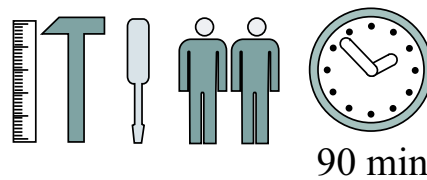


PLANK 29_PNSB



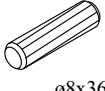
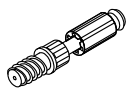


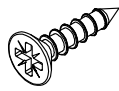
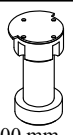
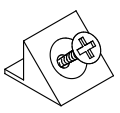
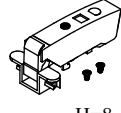
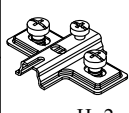
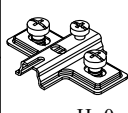
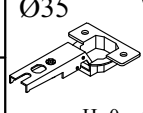
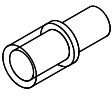


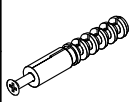
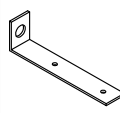
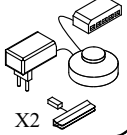


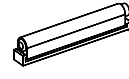
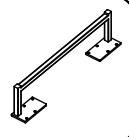
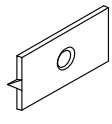
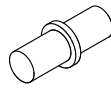

NO	Dim.			Col-No	Qty
1	1502	376	16	1	1
2	1502	376	16	1	1
3	850	376	16	1	2
4	476	346	16	1	4
5	483	346	5	1	2
6	850	356	16	1	2
8	496	876	16	1	2
9	496	876	21	1	1
11	500	862	3	1	1
12	490	862	3	1	2

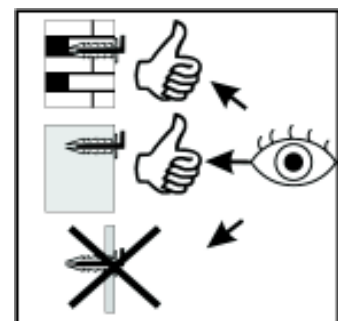
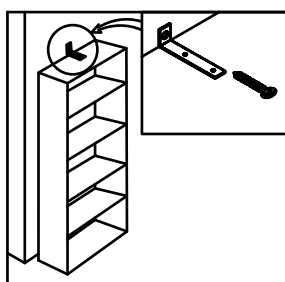
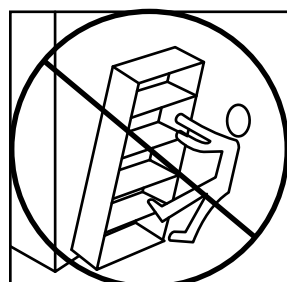
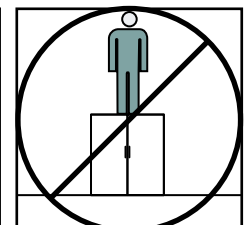
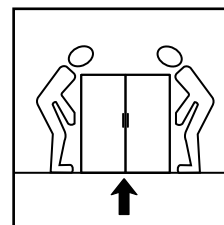
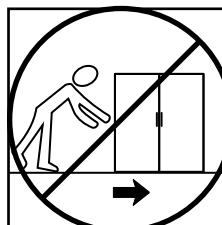
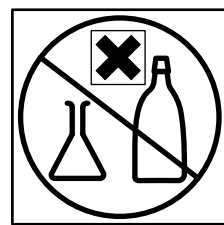
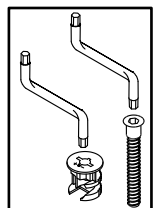
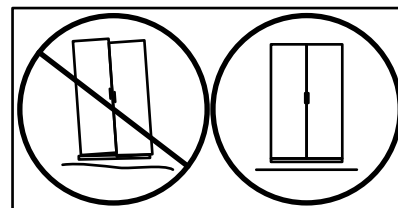
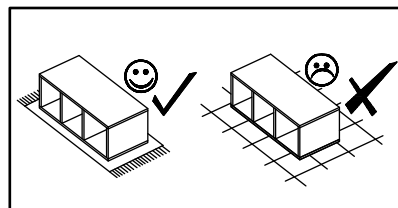
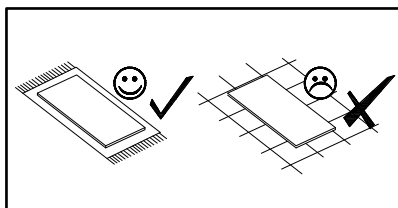
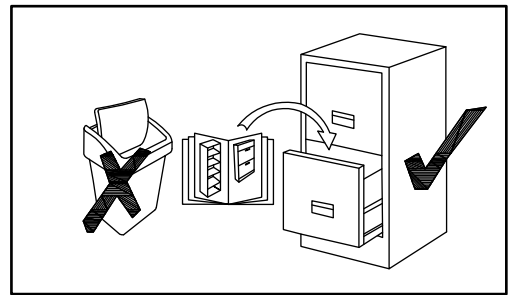
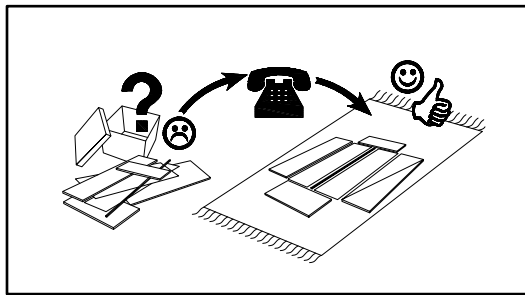
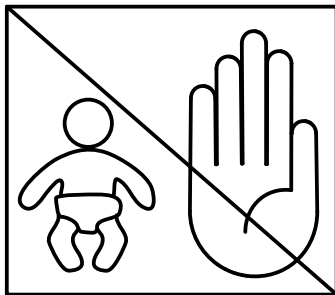
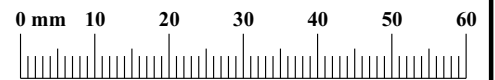


90 min



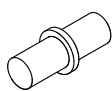
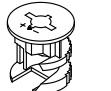
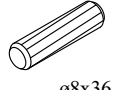
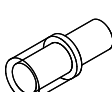
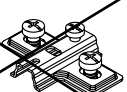
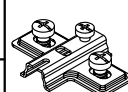
PLANK 29_PNSB

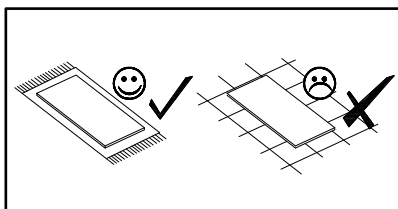
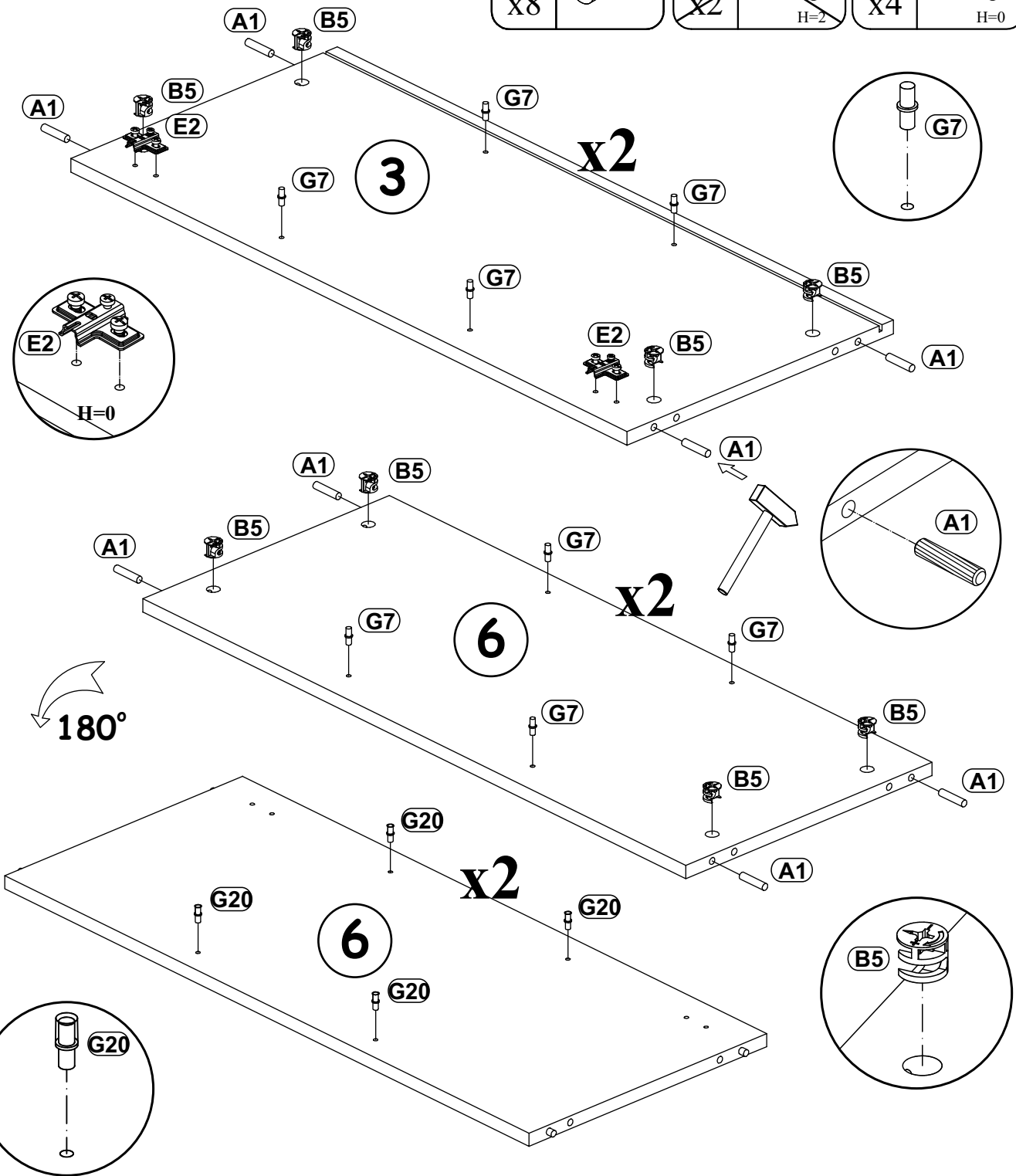
A1 x16  ø8x36	B4 x16 	B5 x16  ø15x12	G5 x16 	D30 x8  USØ3,5x16	I12 x2  L-100 mm.
S1 x18 	E31 x2  H=8	E4 x2  H=2	E2 x4  H=0	E21 x4  Ø35 H=0	G20 x8 
UP13 x8  UPØ3x16	D10 x16  USØ3,5x13	KR1 x1 	L1 x1 	LED x1  x2	G2 x1 
Z2 x4  ø5	T1 x3 	ST6 x2 	G16 x8 	G7 x16 	UP5 x16  UPØ4x16



PLANK 29_PNSB

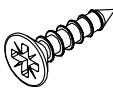
1

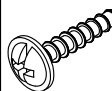
G7 x16		B5 x16	 ø15x12	A1 x16	 ø8x36
G20 x8		E4 x2	 H=2	E2 x4	 H=0

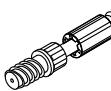


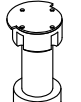
PLANK 29_PNSB

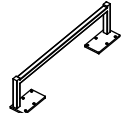
2

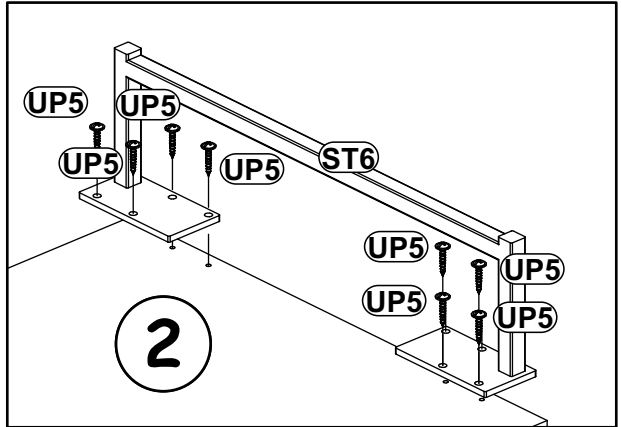
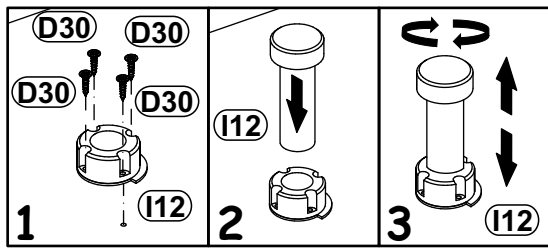
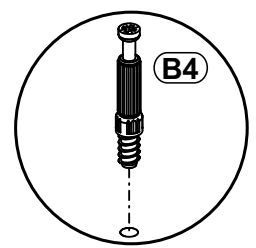
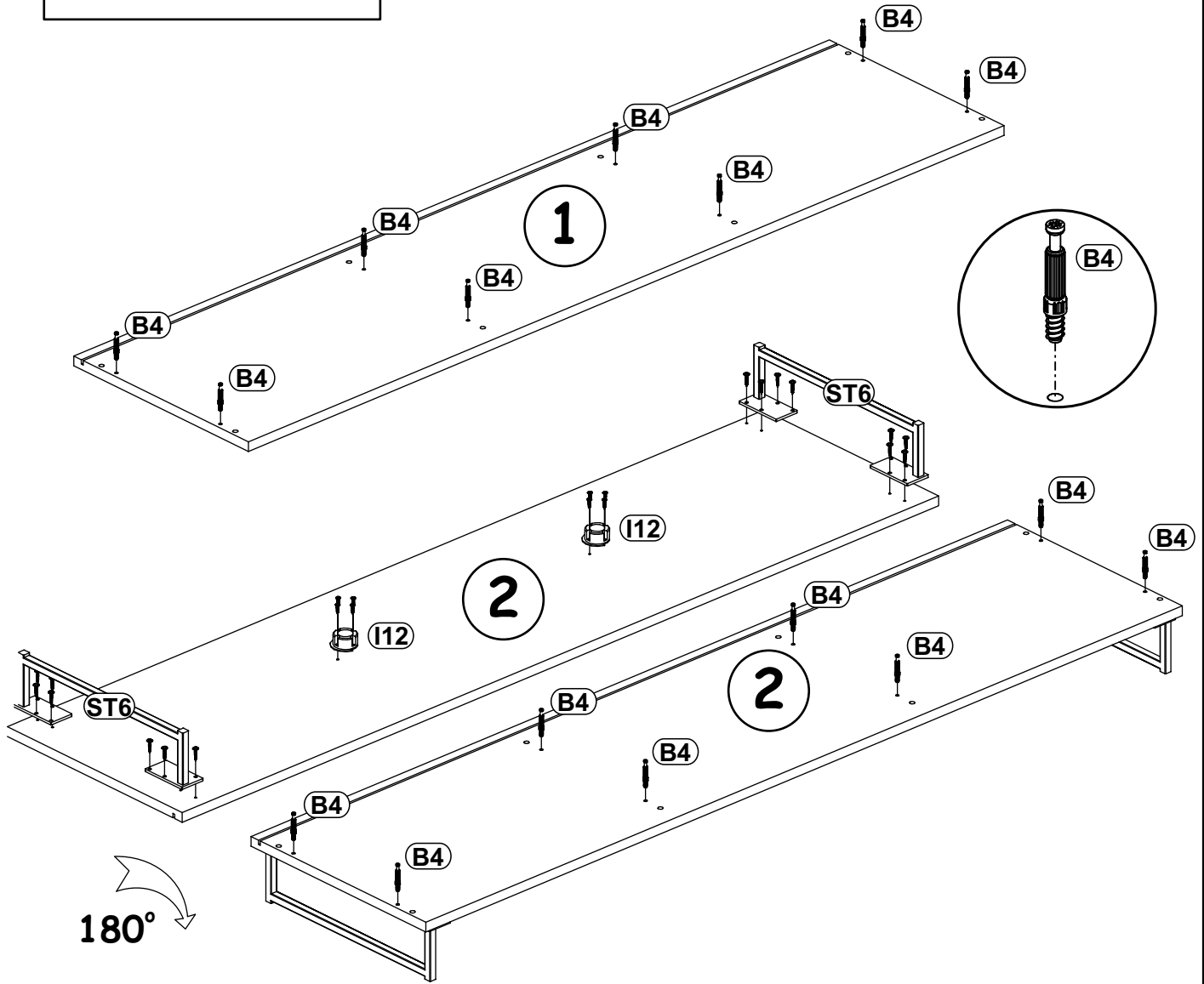
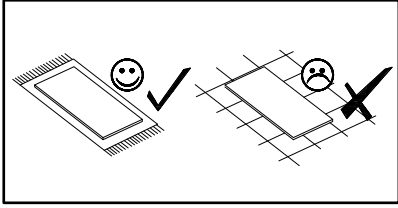
D30	
x8	USØ3,5x16

UP5	
x16	UPØ4x16

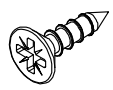
B4	
x16	

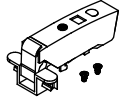
I12	
x2	L-100 mm.

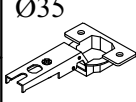
ST6	
x2	



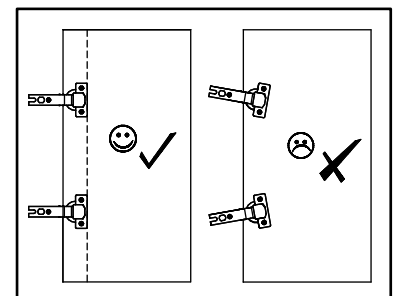
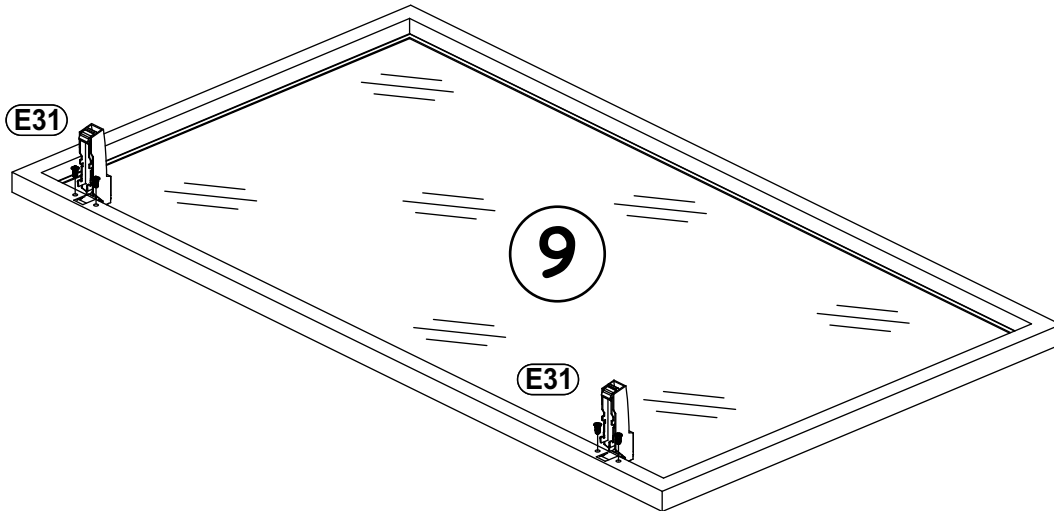
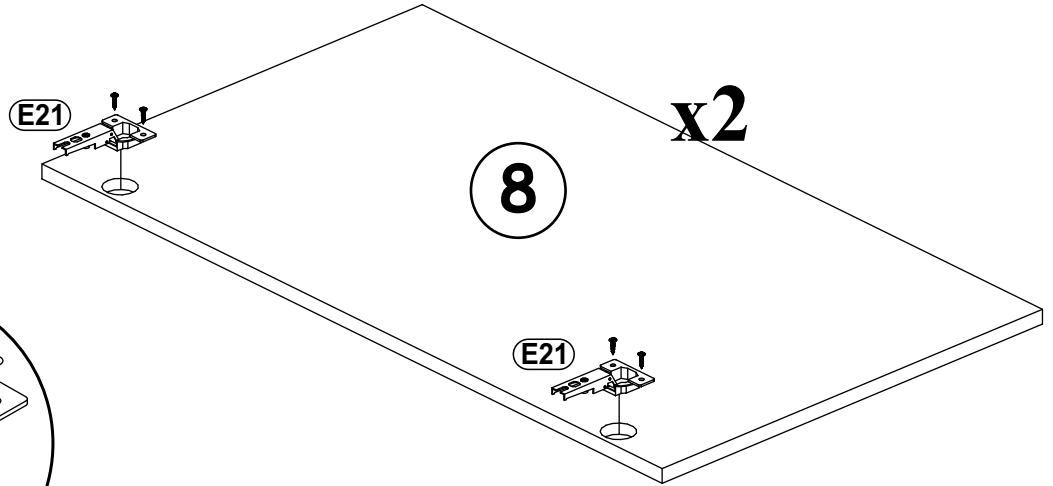
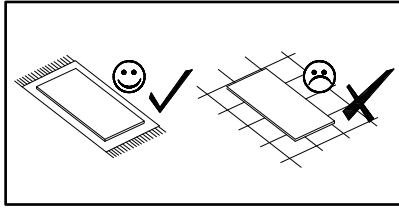
PLANK 29_PNSB


D10	
x8	USØ3,5x13

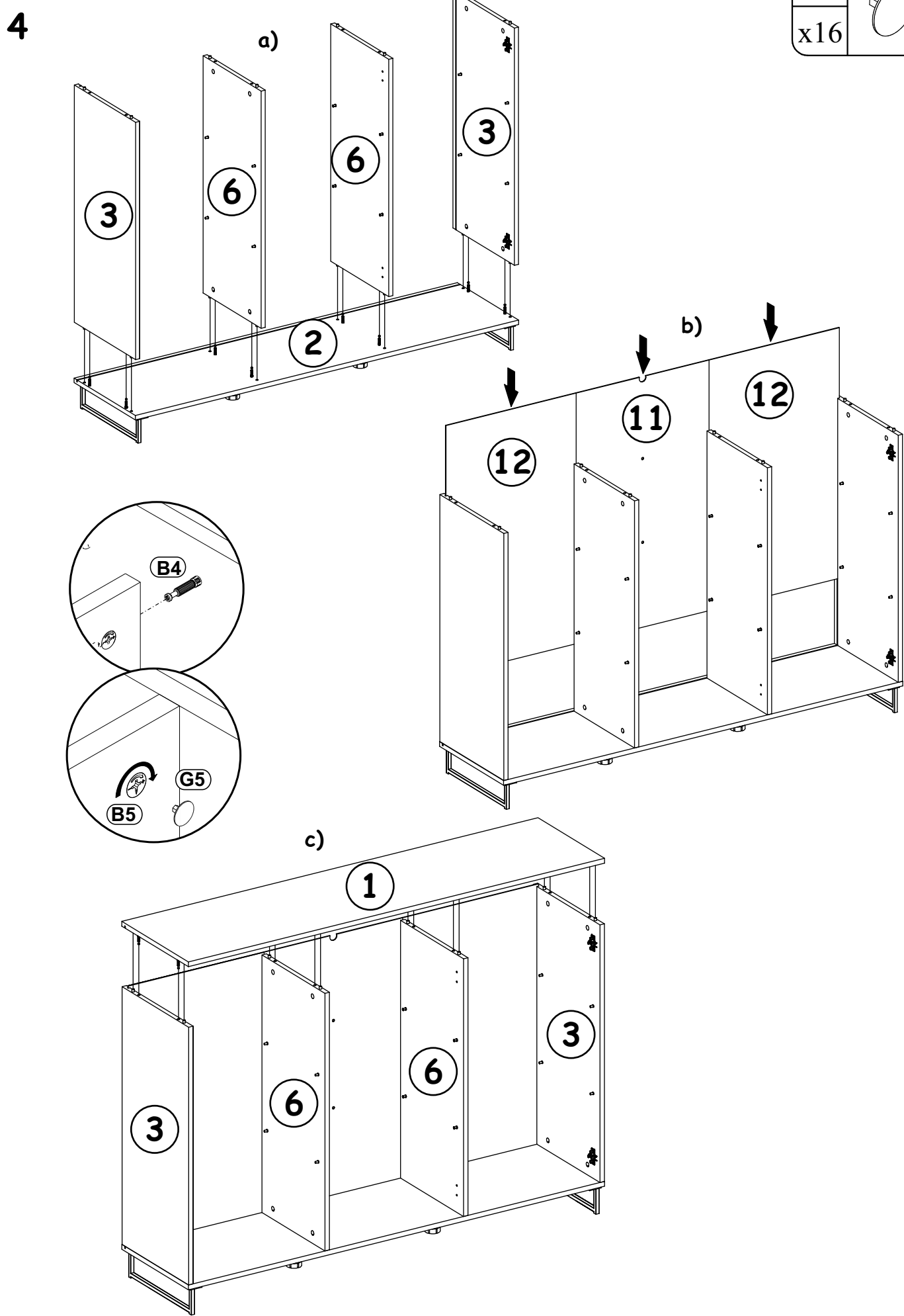
E31	
x2	H=8

E21	
x4	Ø35 H=0

3

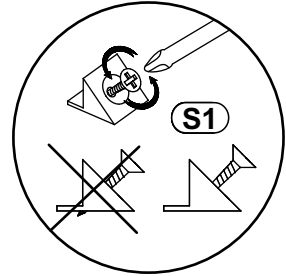
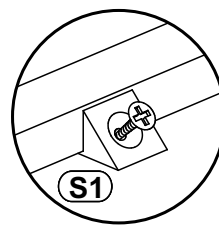
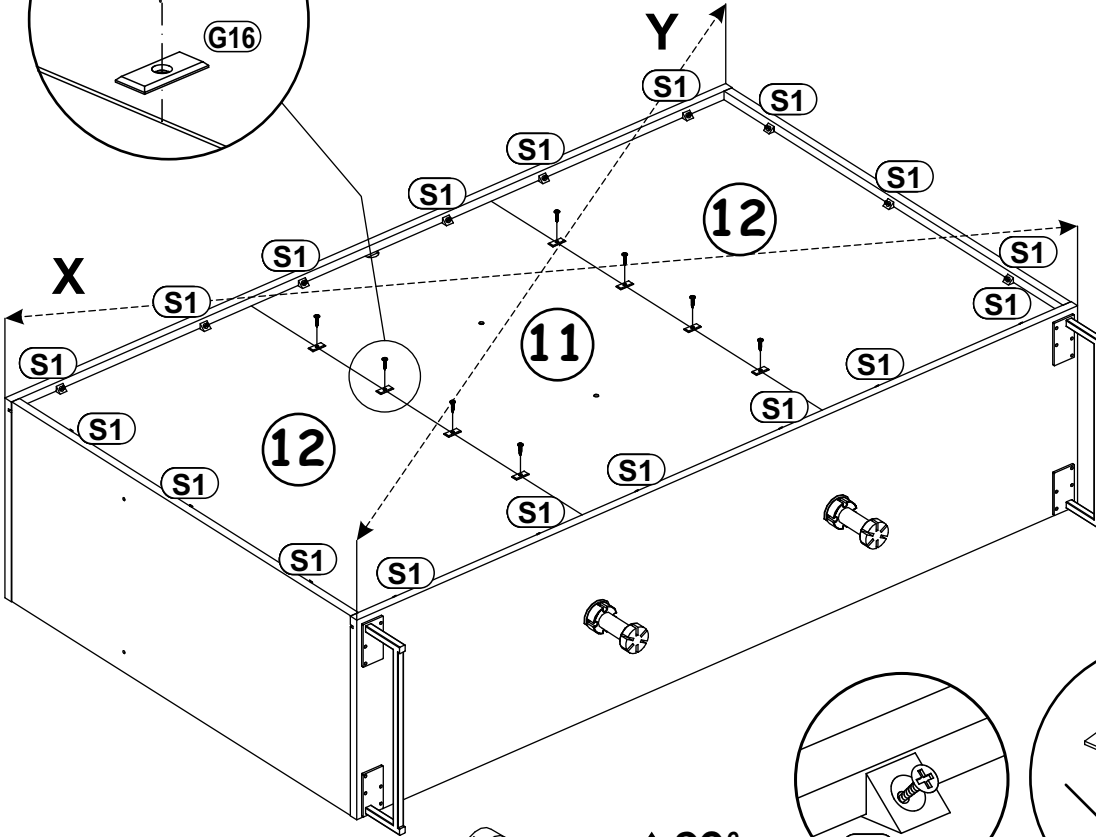
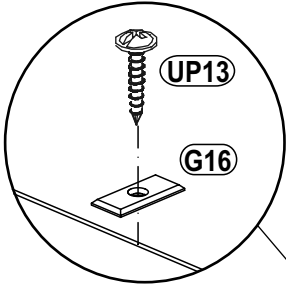
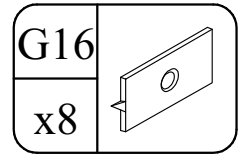
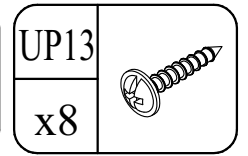
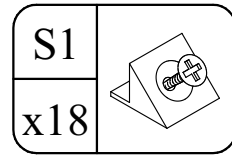
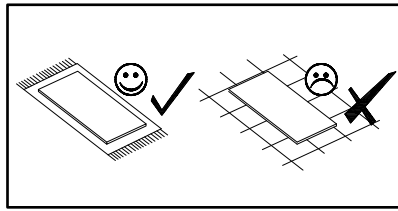


G5	
x16	

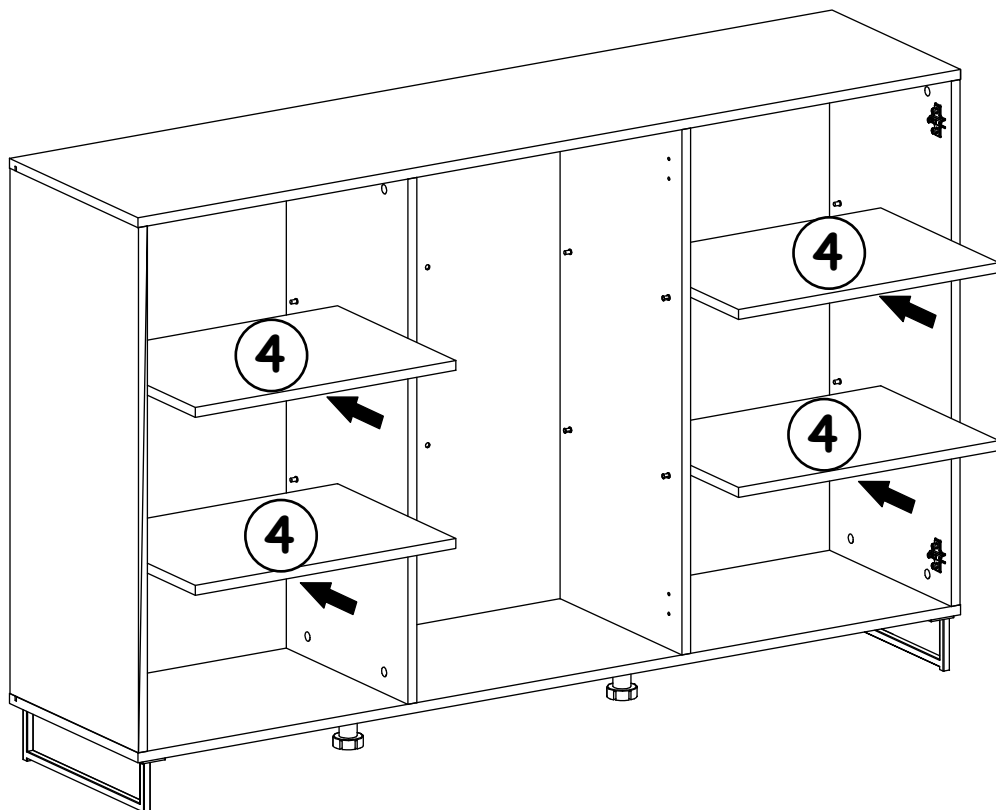


PLANK 29_PNSB


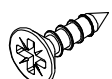
5

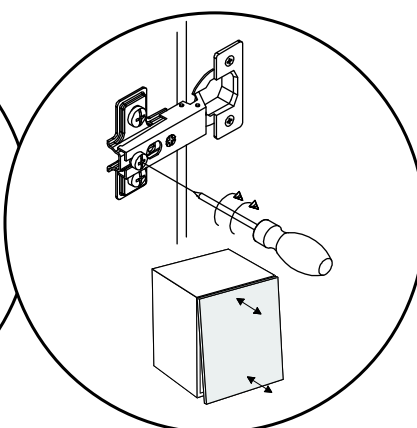
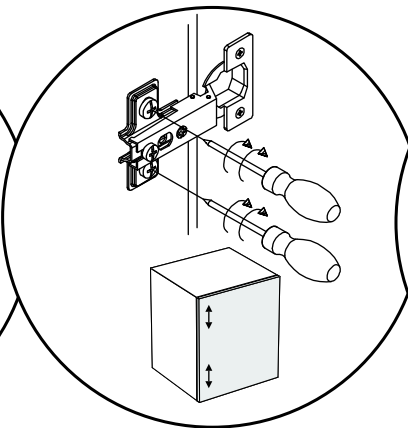
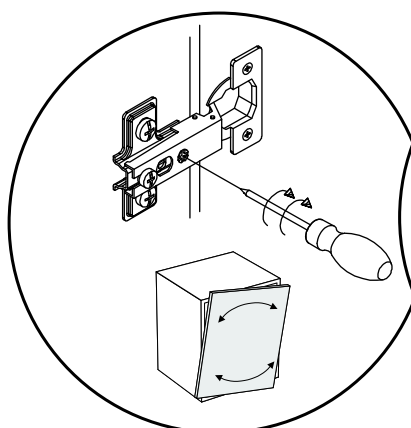
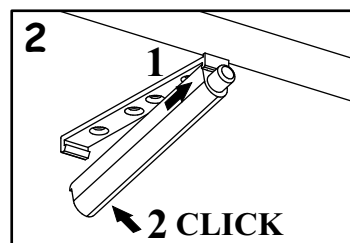
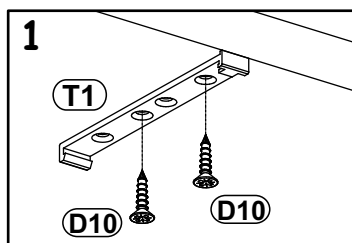
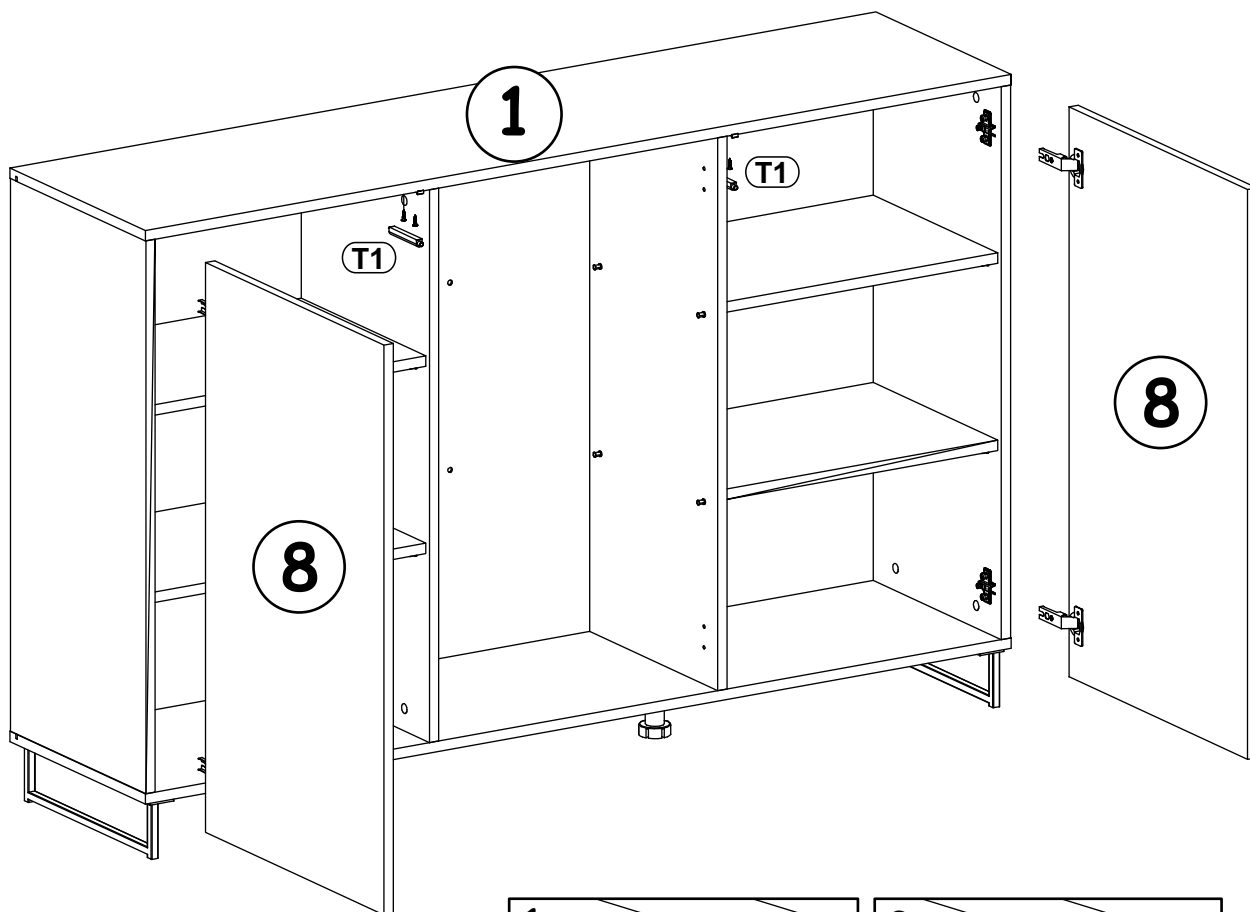


6

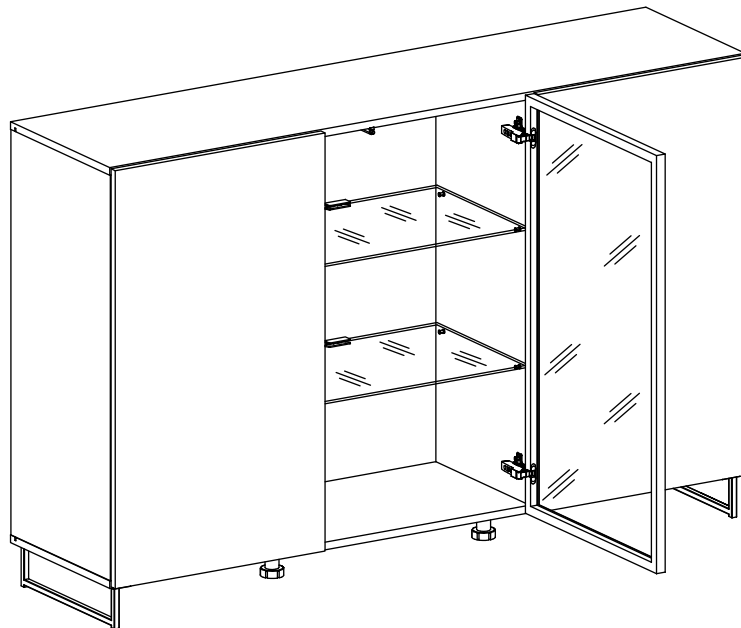


7

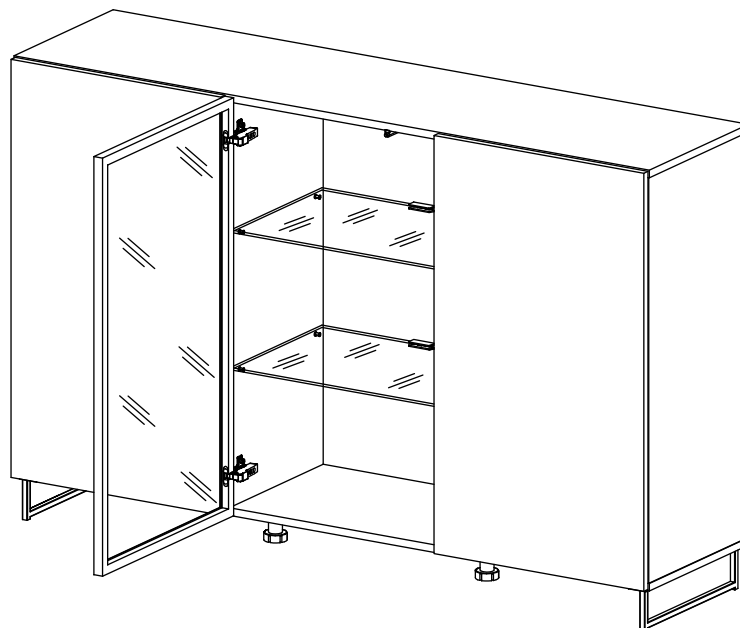
T1		D10	
x2		x4	USØ3,5x13



8 - 11

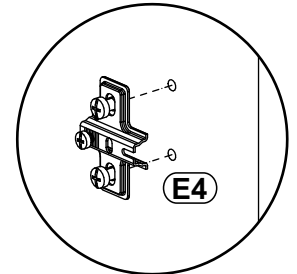
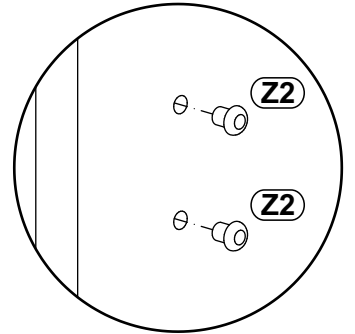
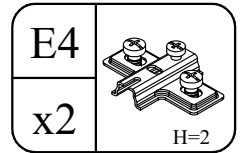
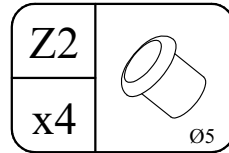
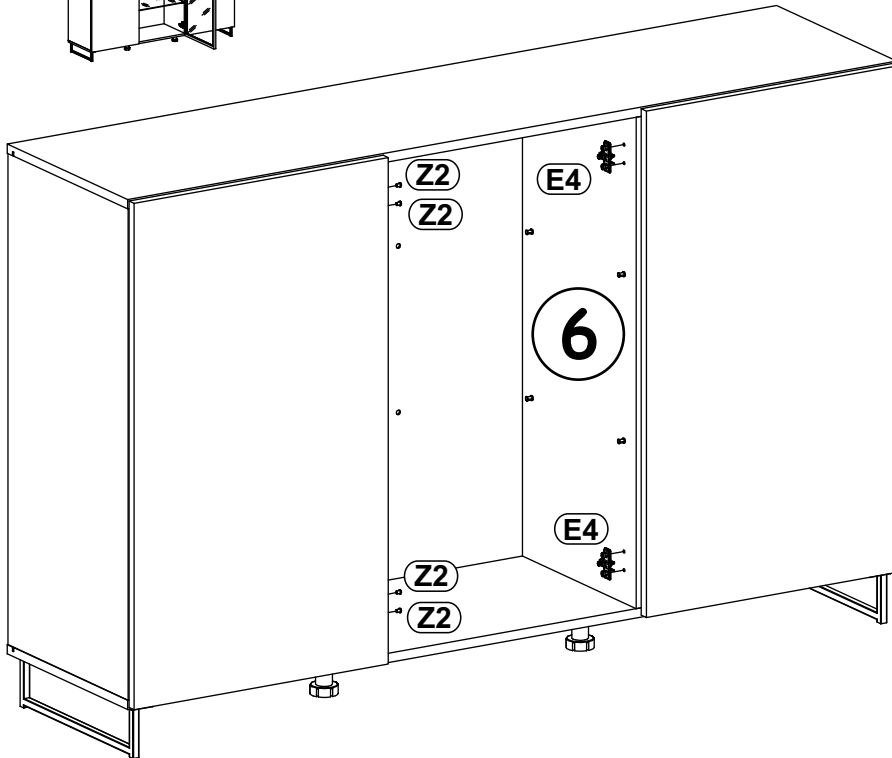
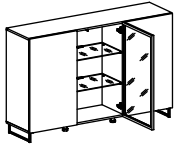


12 - 15

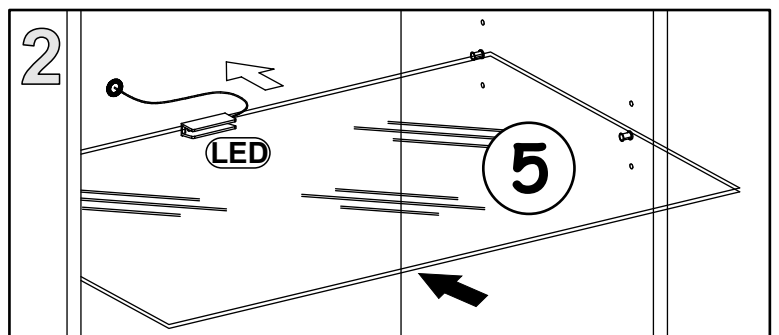
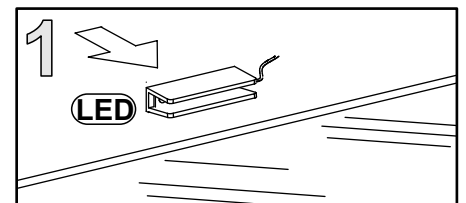
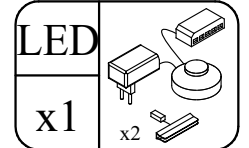
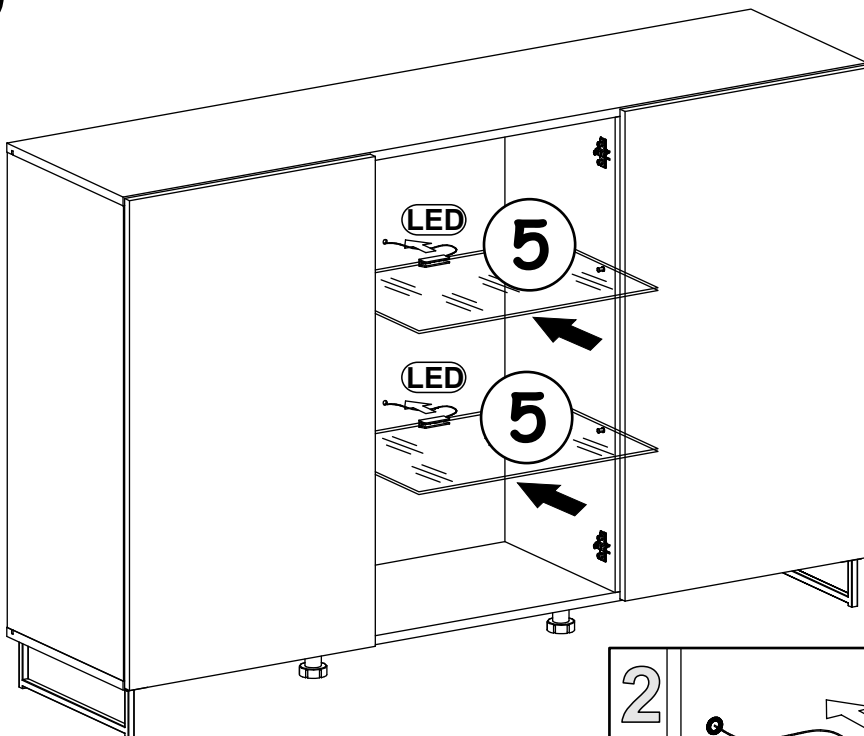


PLANK 29_PNSB

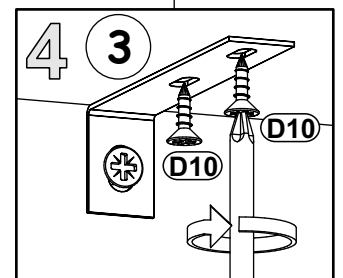
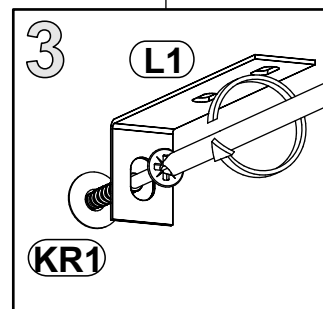
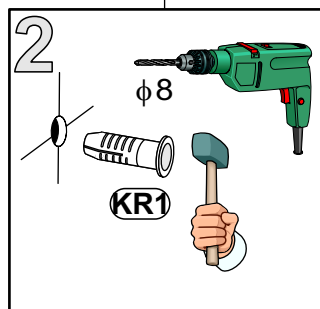
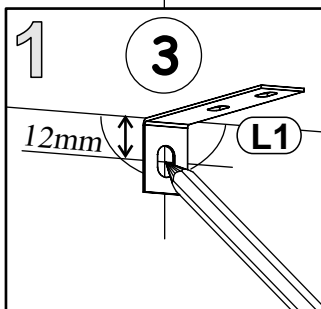
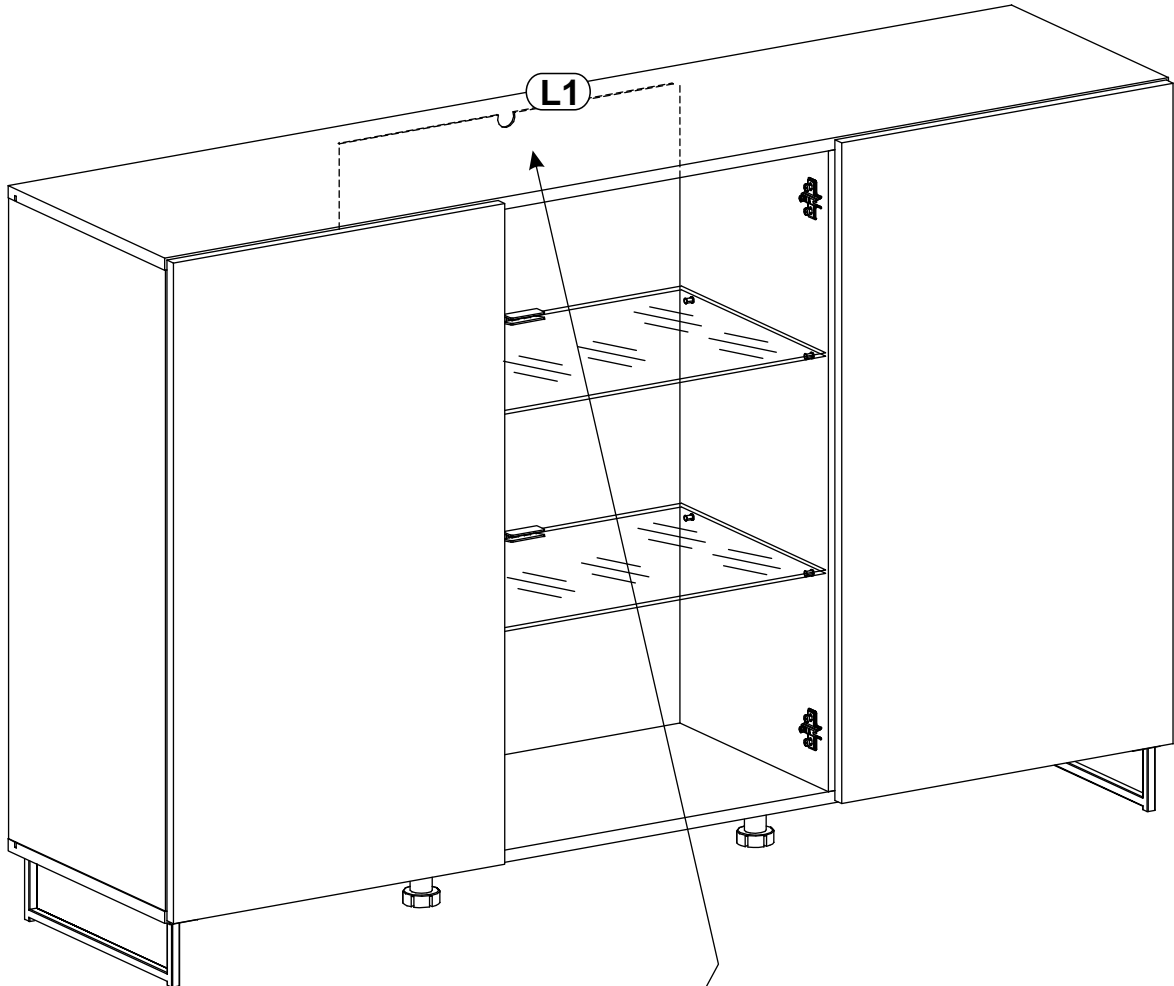
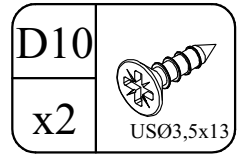
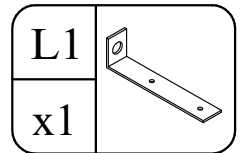
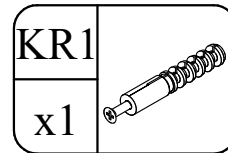
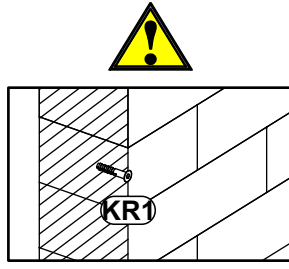
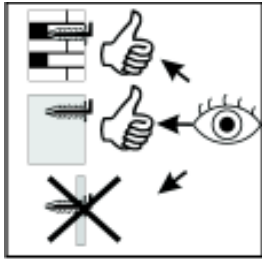
8



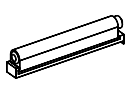

9

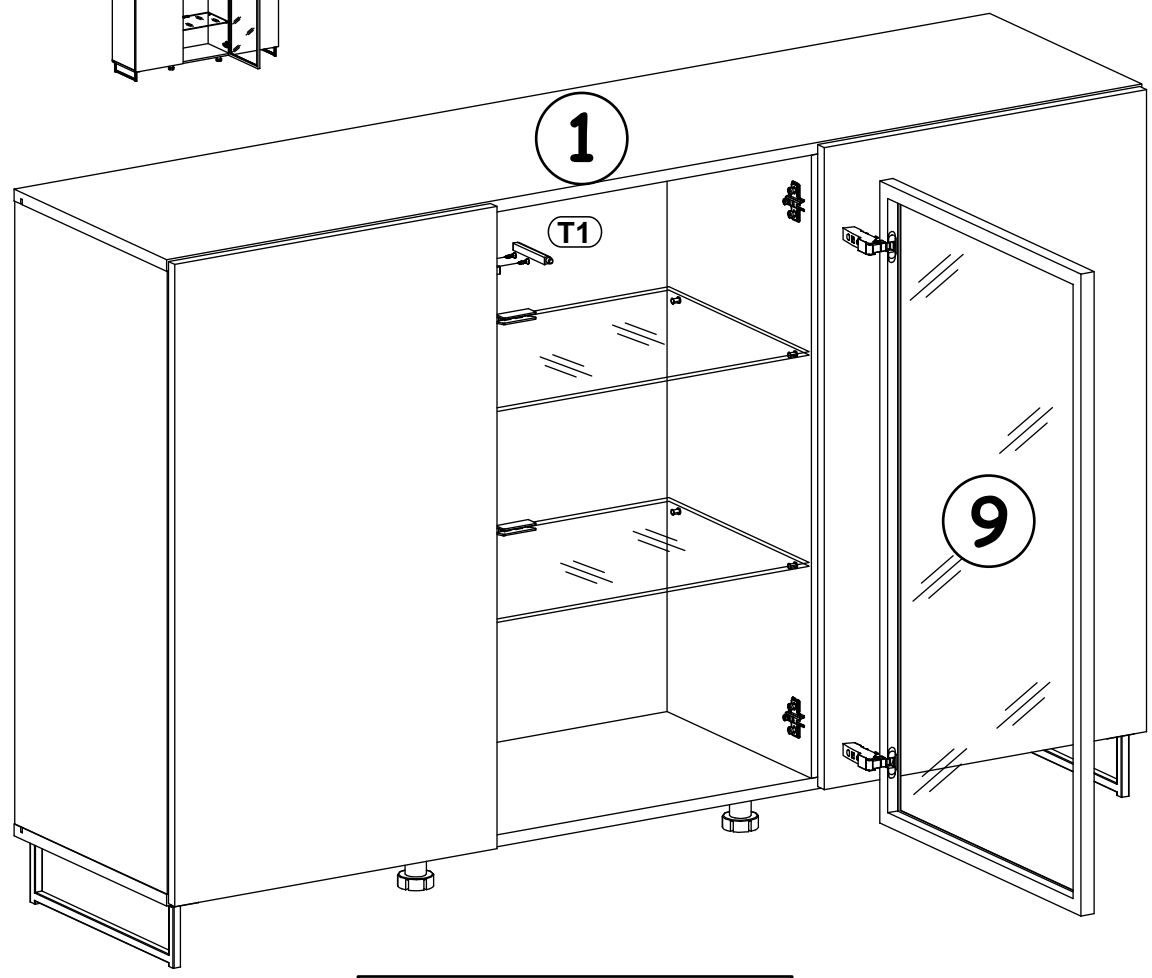
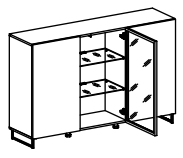


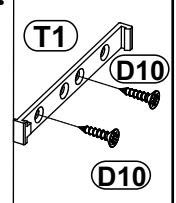
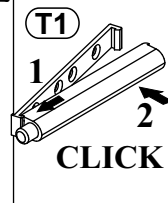
10

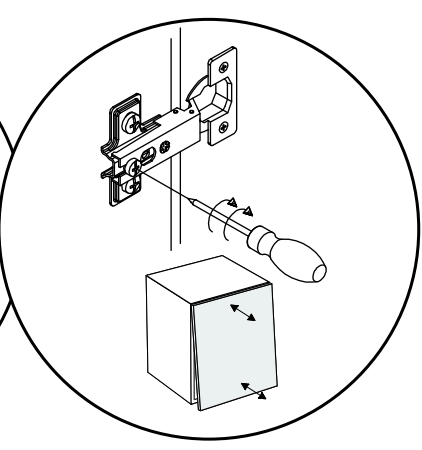
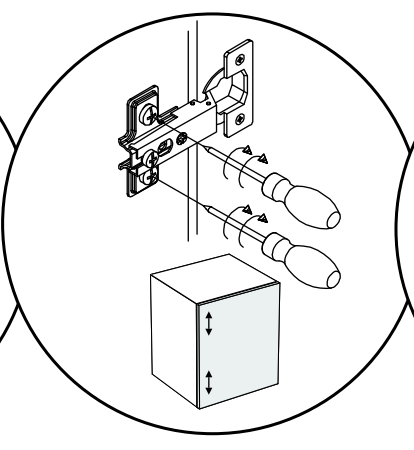
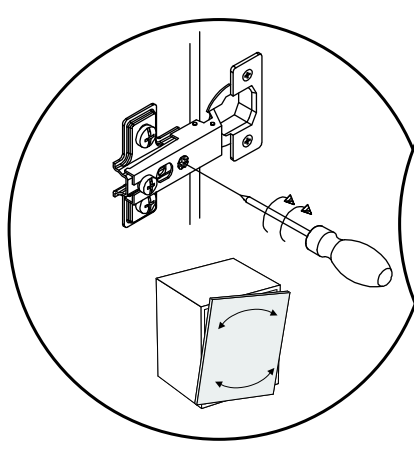


11

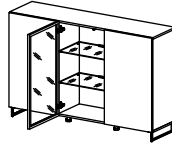
T1		D10	
x1		x2	USØ3,5x13


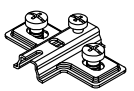


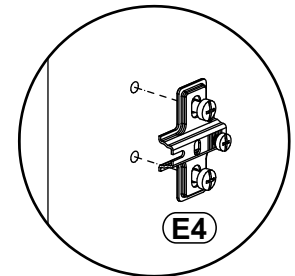
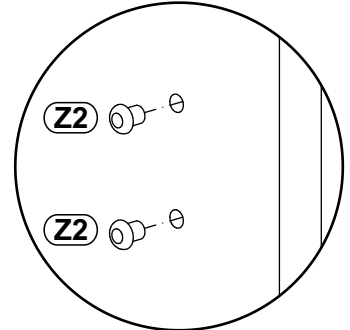
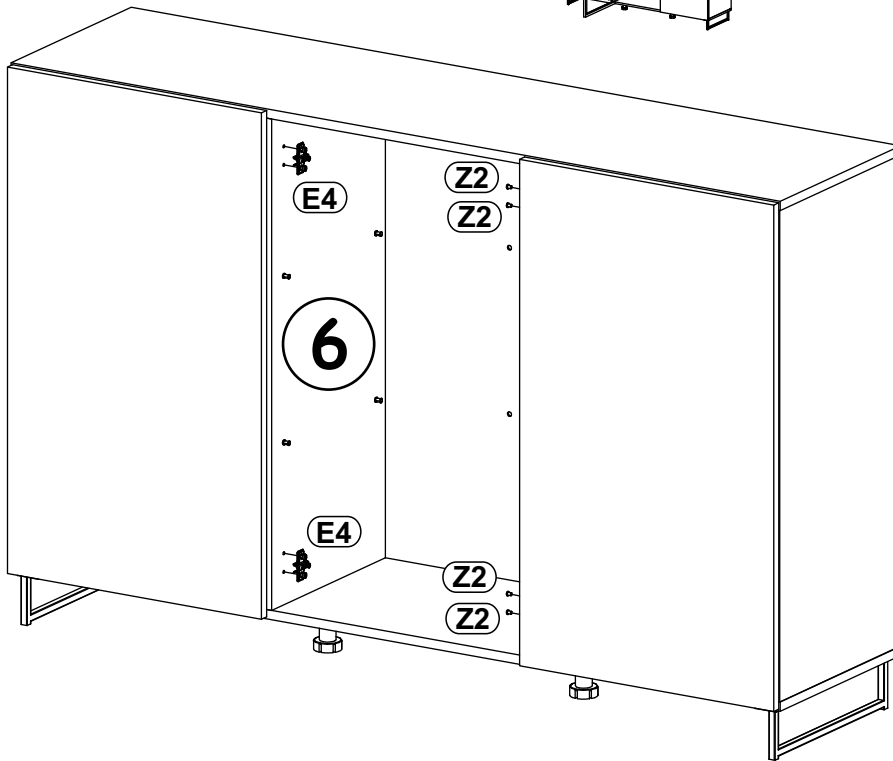
1 	2  CLICK
---	--



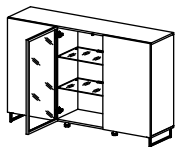
12

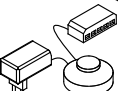


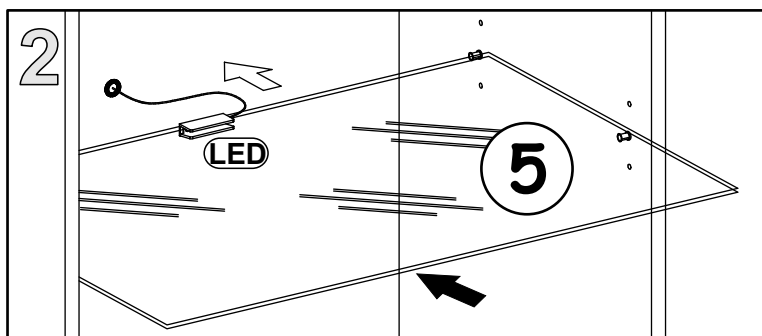
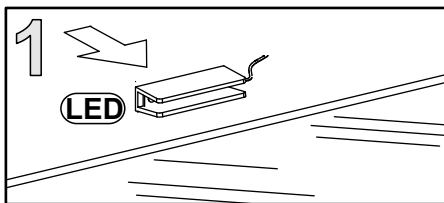
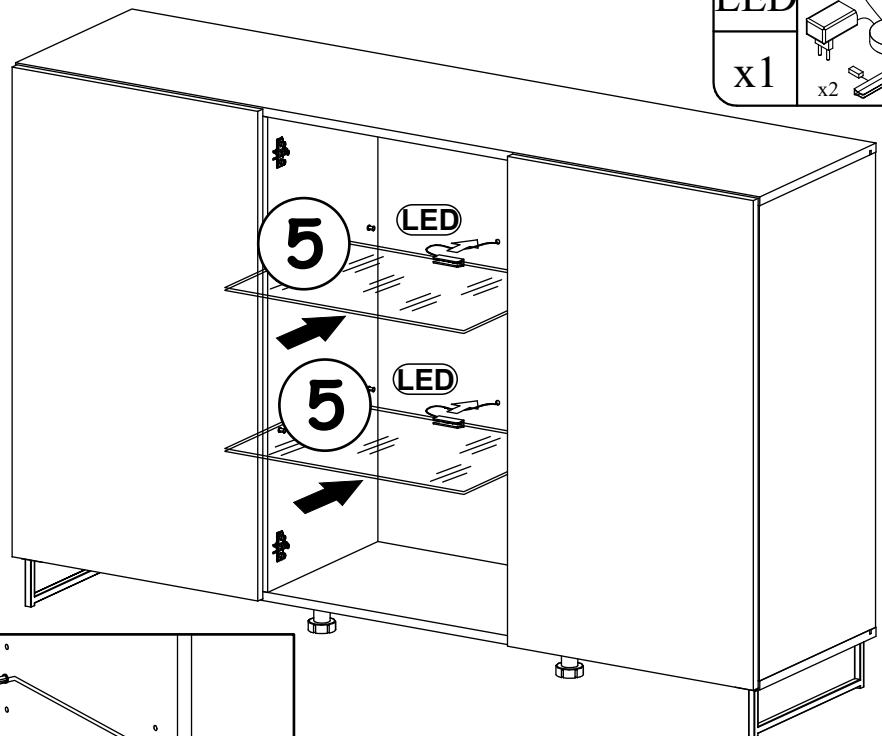
Z2		E4	
x4	Ø5	x2	H=2



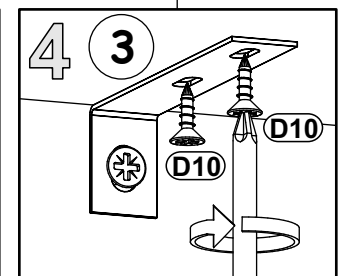
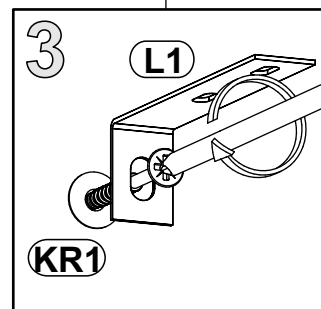
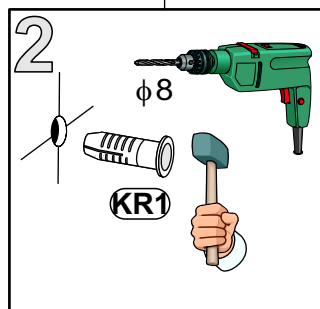
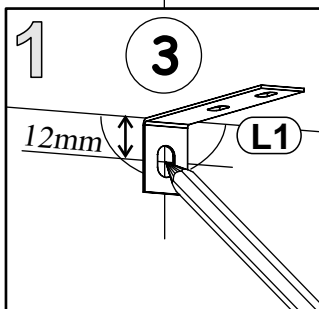
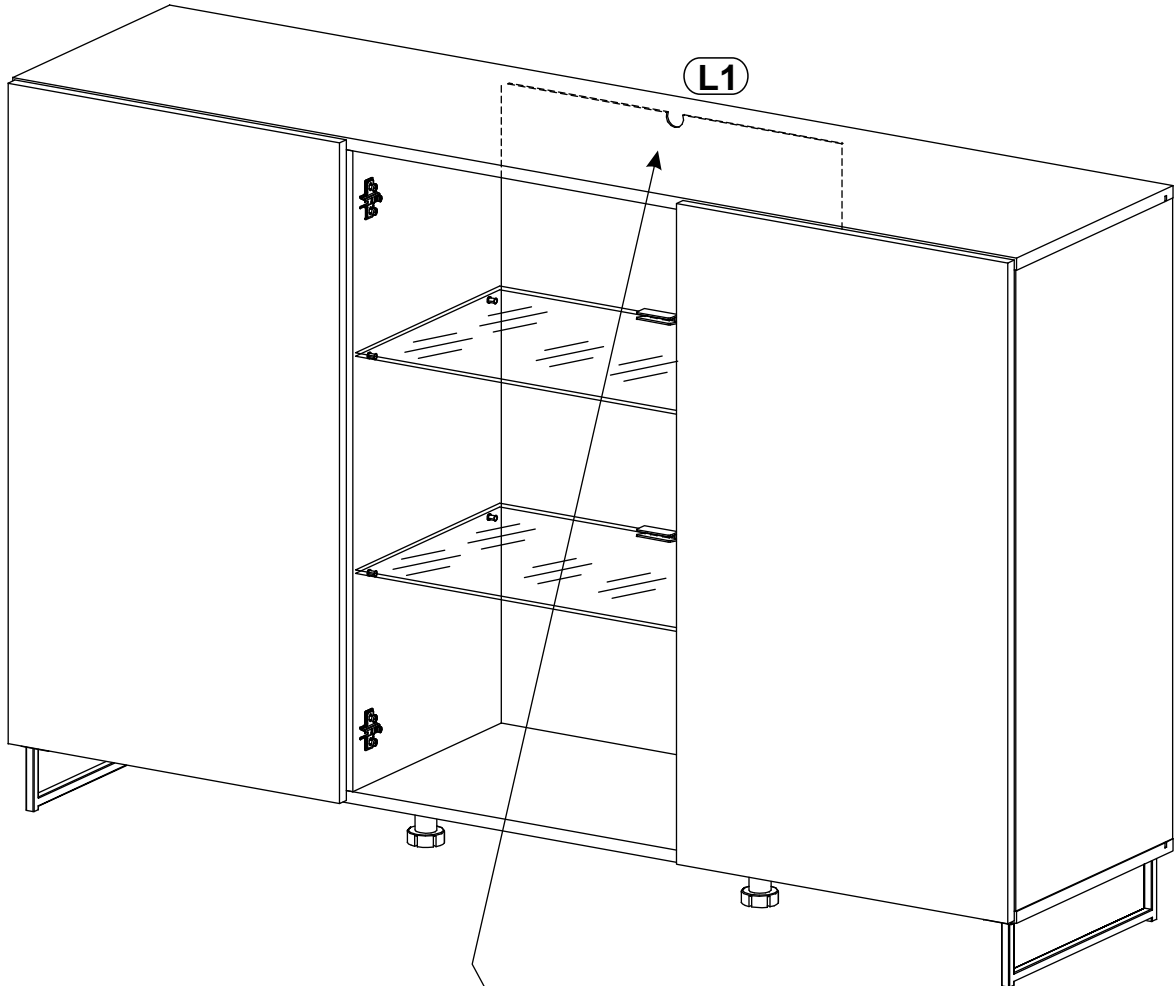
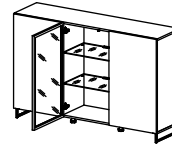
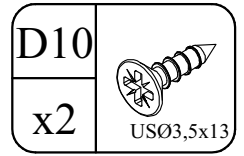
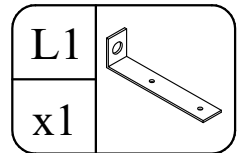
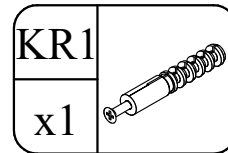
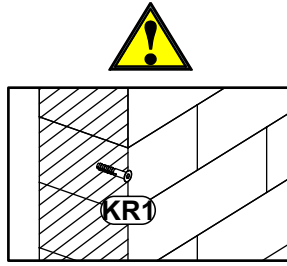
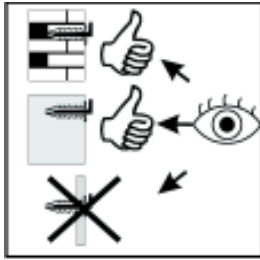
13



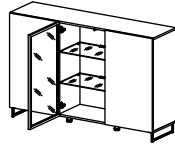
LED	
x1	x2



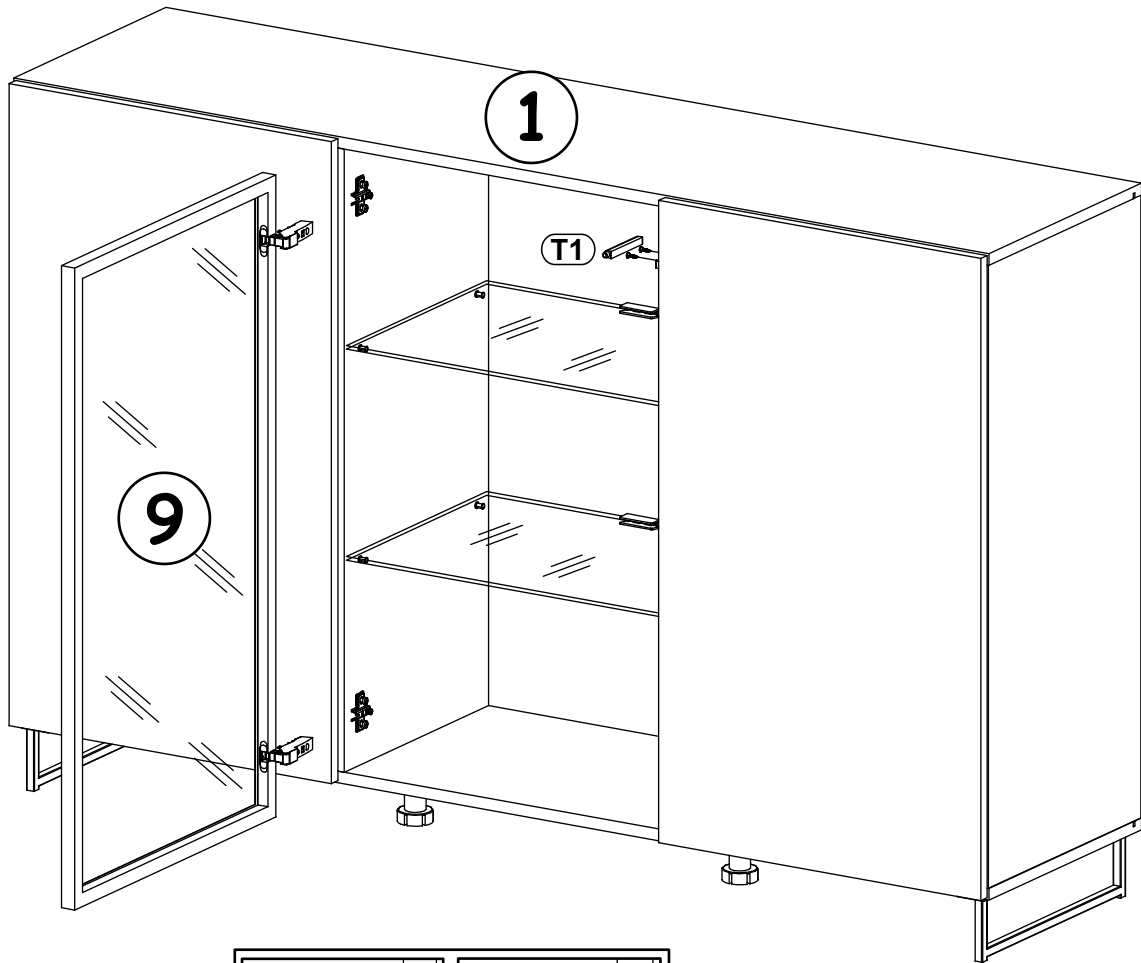
14



15



T1		D10	
x1		x2	USØ3,5x13



<p>2 CLICK</p> <p>1</p> <p>T1</p>	<p>1</p> <p>T1</p> <p>D10</p> <p>D10</p>
--	---

